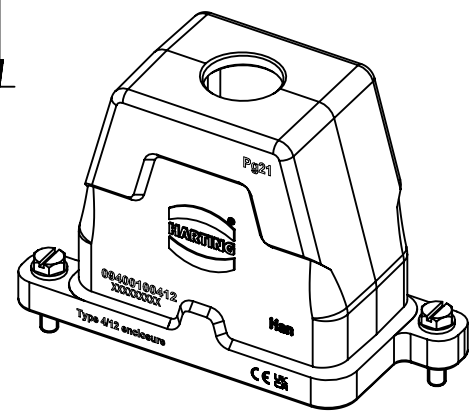
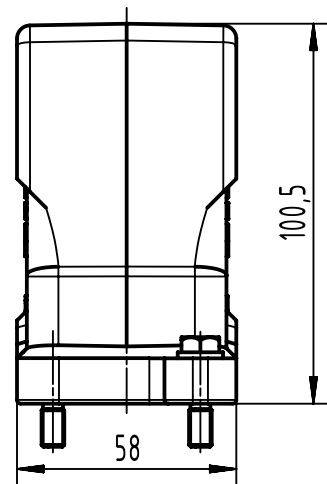
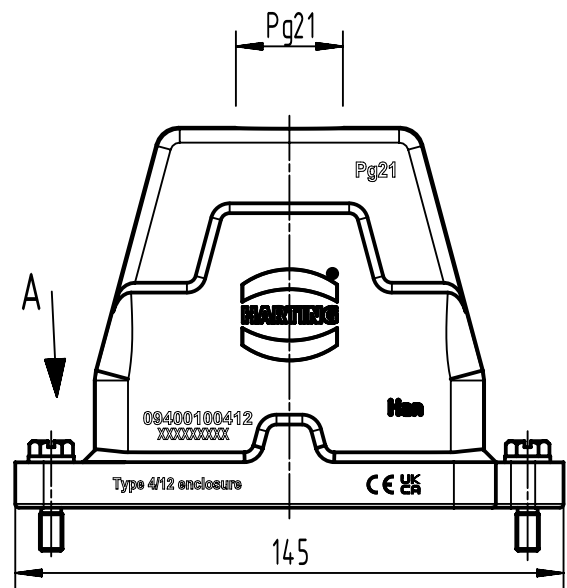


A

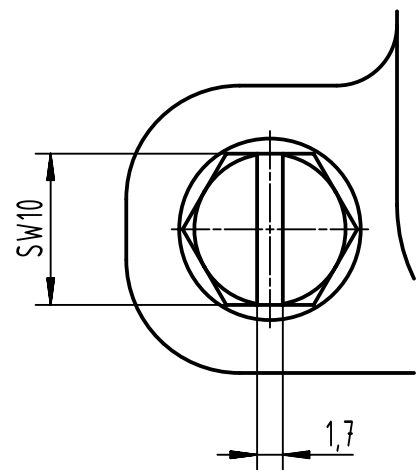
B

C

D



A (2:1)



All Dimensions in mm Original Size DIN A4		Scale 1:2	Free size tol.		Ref.
All rights reserved Department EL PD		Created by HELLMANN	Inspected by 3236	Standardisation	Sub.
HARTING D-32339 Espelkamp		Title Han 10HPR-HTE-Pg21-Screw lock			Date 2023-10-09
		Type TB      Number 09 40 010 0412			State Final Release
					Doc-Key / ECM-Nr. 100206538/UGD/004/E 500000253941
					Rev. E      Page 1/1