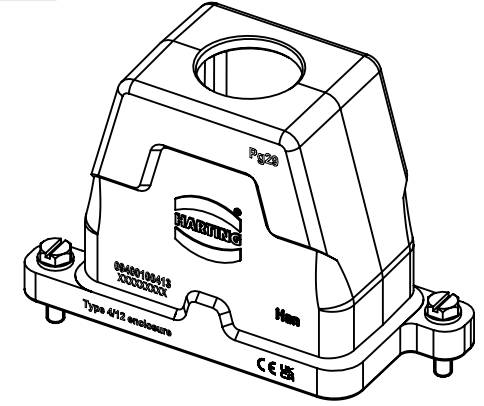
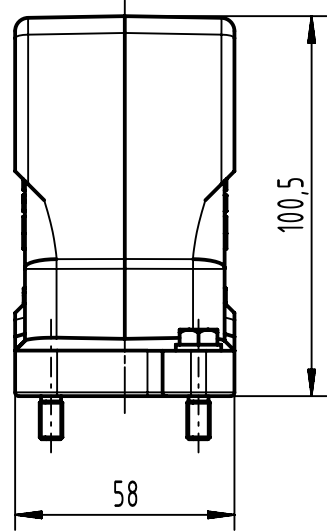
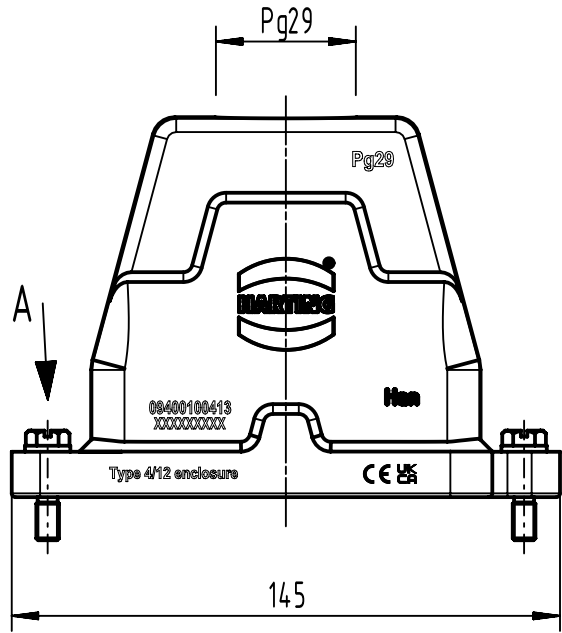


A

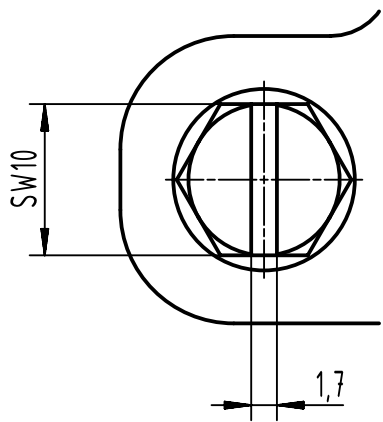
B

C

D



A (2:1)



	All Dimensions in mm Original Size DIN A4		Scale 1:2	Free size tol.		Ref.		
	All rights reserved Department EL PD		Created by HELLMANN	Inspected by 3236	Standardisation	Date 2023-10-09	State Final Release	
HARTING D-32339 Espelkamp			Title Han 10HPR-HTE-Pg29-Screw lock				Doc-Key / ECM-Nr. 100206532/UGD/004/E 500000253941	
			Type TB	Number 09 40 010 0413			Rev. E	Page 1/1