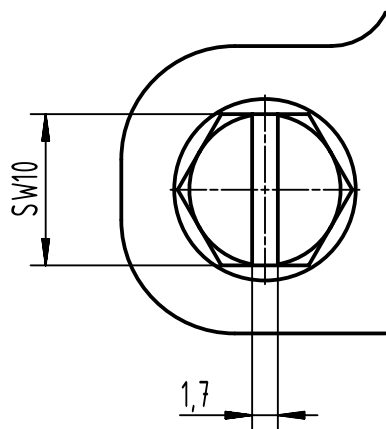
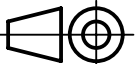



A (2:1)



	All Dimensions in mm Original Size DIN A4		Scale 1:2	Free size tol.		Ref.	
			Created by HELLMANN	Inspected by 3236	Standardisation	Date 2023-10-09	State Final Release
All rights reserved Department EL PD		Title Han 10HPR-HSE-Pg21-Screw lock				Doc-Key / ECM-Nr. 100206551/UGD/004/E 500000253941	
HARTING D-32339 Espelkamp		Type TB	Number 09 40 010 0512			Rev. E	Page 1/1