

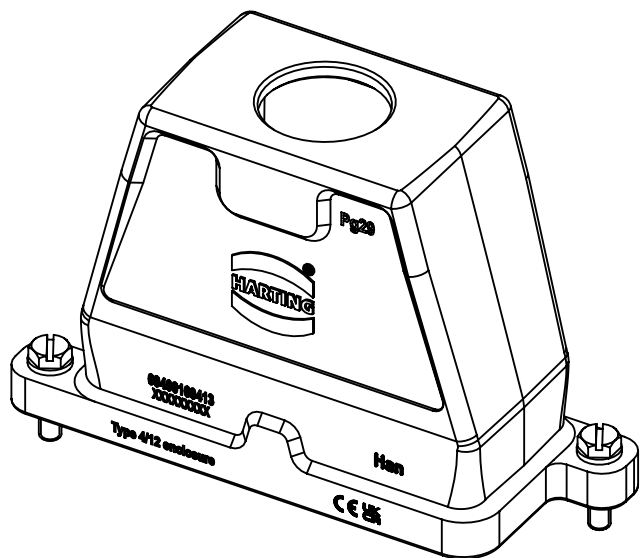
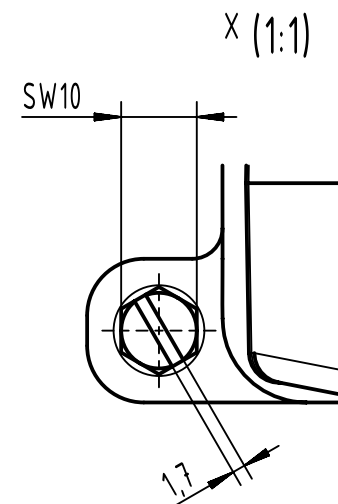
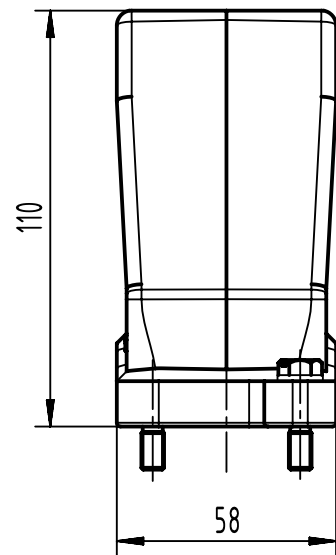
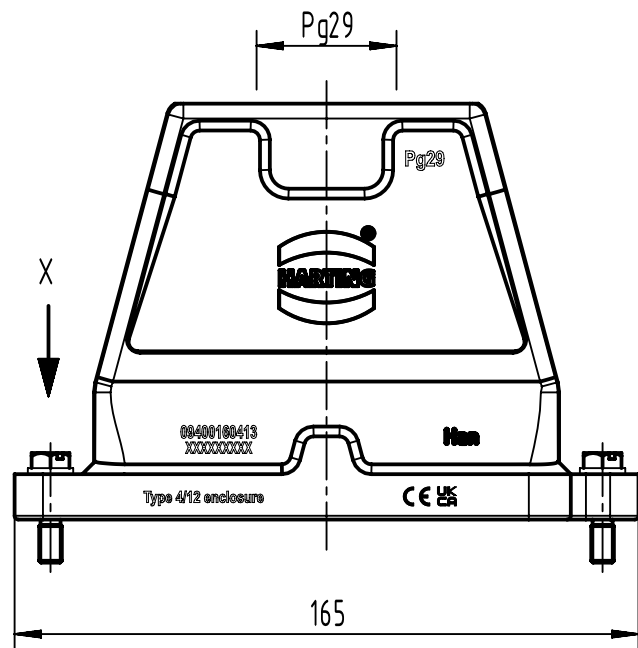
1 2 3 4 5 6

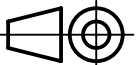

A

B

C

D



 All Dimensions in mm Original Size DIN A4	Scale	Free size tol.		Ref.	
	1:2			Sub.	
 All rights reserved Department EL PD	Created by	Inspected by	Standardisation	Date	State
	HELLMANN	3236		2023-10-24	Final Release
HARTING D-32339 Espelkamp	Title			Doc-Key / ECM-Nr.	
	Han 16HPR-HTE-Pg 29 Screw lock			100170348/UGD/004/D 500000255210	
Type		Number		Rev.	Page
TB		09 40 016 0413		D	1/1