

Han 16HPR EasyCon Frame-F 2x650A

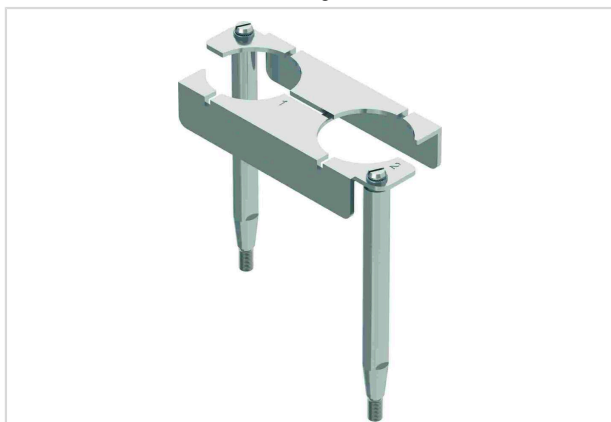


Image is for illustration purposes only. Please refer to product description.

Part number	09 40 016 9926
Specification	Han 16HPR EasyCon Frame-F 2x650A
HARTING eCatalogue	https://b2b.harting.com/09400169926

Identification

Category	Accessories
Series of hoods/housings	Han [®] HPR EasyCon
Type of accessory	Frame
Description of the accessory	for female inserts 2x Han [®] HC Modular 650

Version

Size	16 B
Pack contents	2x distance bolt (AF 7) 2x M4 screw 2x washer SK S4 2x M4 countersunk screw

Technical characteristics

Tightening torque	6 Nm Distance bolt 1.5 Nm Fixing screws M4
-------------------	---

Material properties

Material (accessories)	Metal
RoHS	compliant
ELV status	compliant
China RoHS	e
REACH Annex XVII substances	Not contained
REACH ANNEX XIV substances	Not contained
REACH SVHC substances	Not contained



Pushing Performance
Since 1945

Material properties

California Proposition 65 substances	Yes
--------------------------------------	-----

California Proposition 65 substances	Nickel
--------------------------------------	--------

Commercial data

Packaging size	1
----------------	---

Net weight	123 g
------------	-------

Country of origin	China
-------------------	-------

European customs tariff number	85389099
--------------------------------	----------

GTIN	5713140194182
------	---------------

ETIM	EC002310
------	----------

eCl@ss	27440210 Fixing element for industrial connectors
--------	---