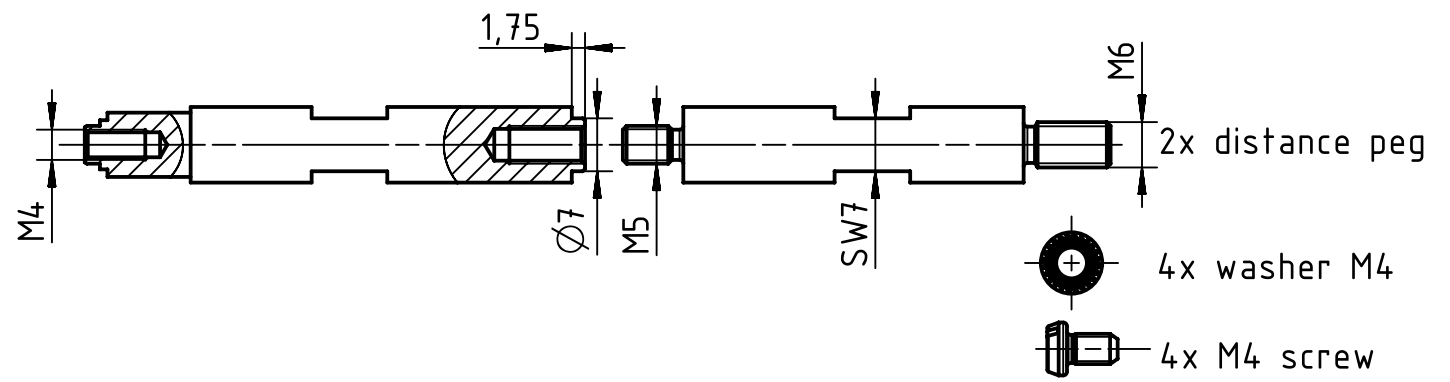
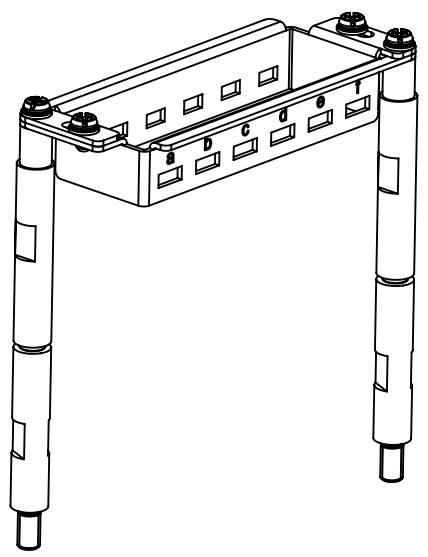
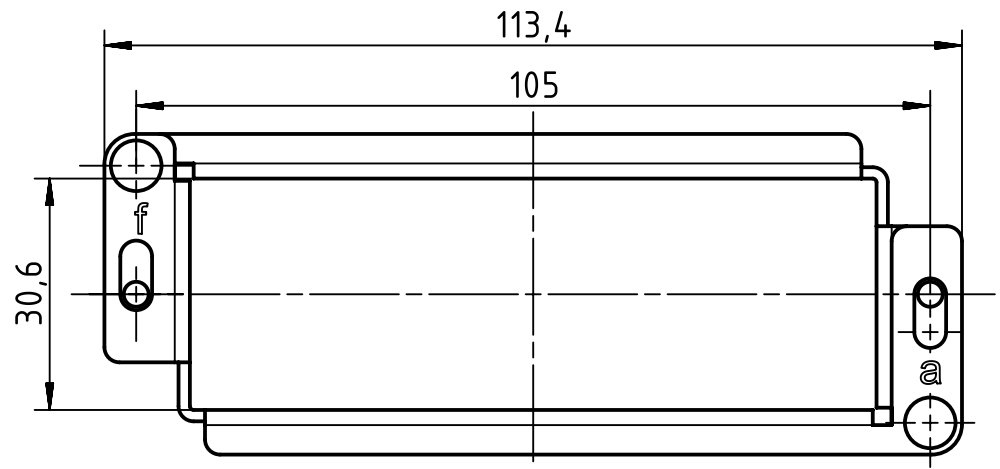
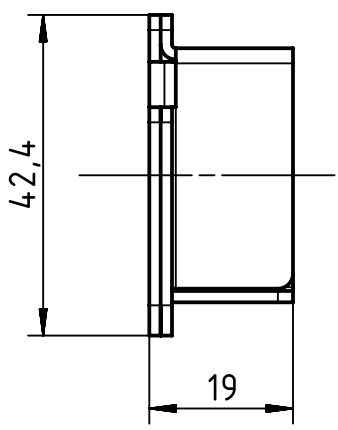


1 2 3 4 5 6

A
B
C
D



all components enclosed separately

	All Dimensions in mm Original Size DIN A4	Scale 1:1	Free size tol.		Ref.	
	All rights reserved Department EL PD - CN	Created by LONGL	Inspected by WENE	Standardisation TIEMANNA	Date 2017-08-31	State Final Release
Title Frame Han 16HPR EasyCon-Mod-a-f					Doc-Key / ECM-Nr. 100697001/UGD/000/C 500000124681	
HARTING Electric GmbH & Co. KG D-32339 Espelkamp					Type TB	Number 09 40 016 9932
					Rev. C	Page 1/1