

1 2 3 4 5 6

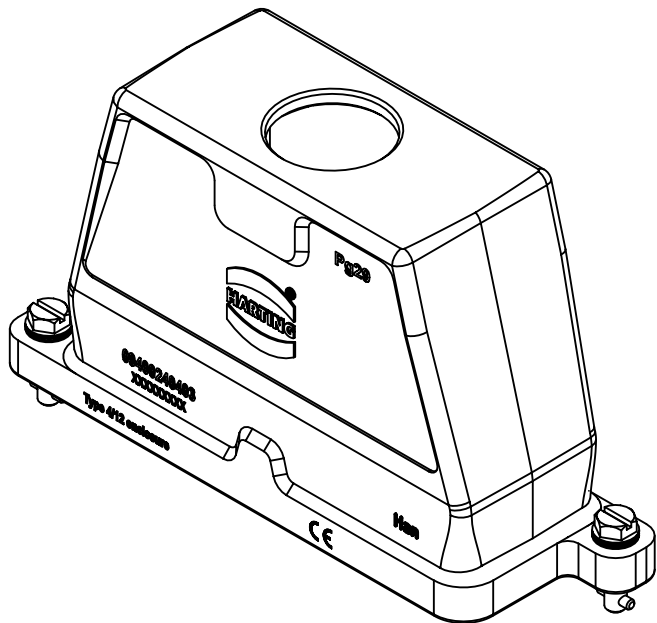
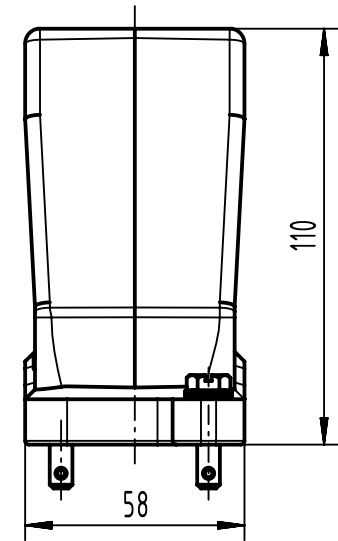
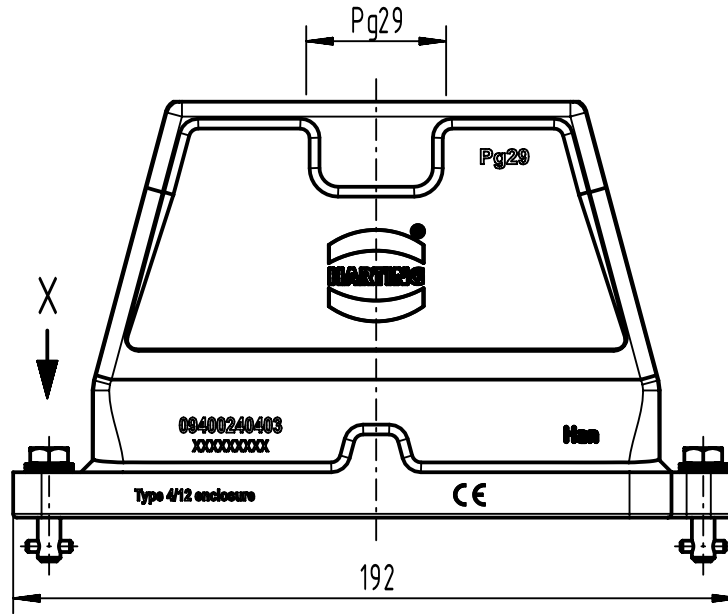
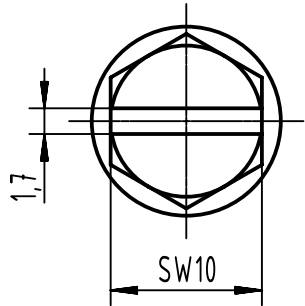
A

B

C

D

X (2:1)



	All Dimensions in mm Original Size DIN A4		Scale 1:2	Free size tol.		Ref.		
						Sub.		
	All rights reserved		Created by SPRENB	Inspected by GERB	Standardisation 302077	Date 2021-05-18	State Final Release	
	Department EL PD		Title Han 24 HPR Hood Top Entry PG 29 Toggle I				Doc-Key / ECM-Nr. 100201960/UGD/004/C 500000190688	
HARTING D-32339 Espelkamp			Type TB	Number 09 40 024 0403			Rev. C	Page 1/1