

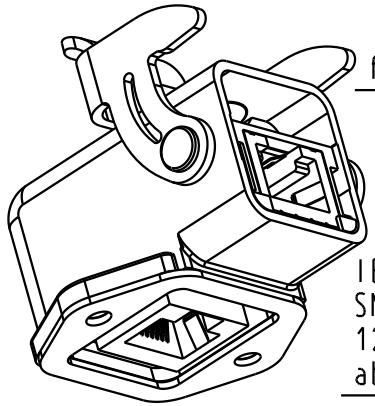
1 2 3 4 5 6

A

B

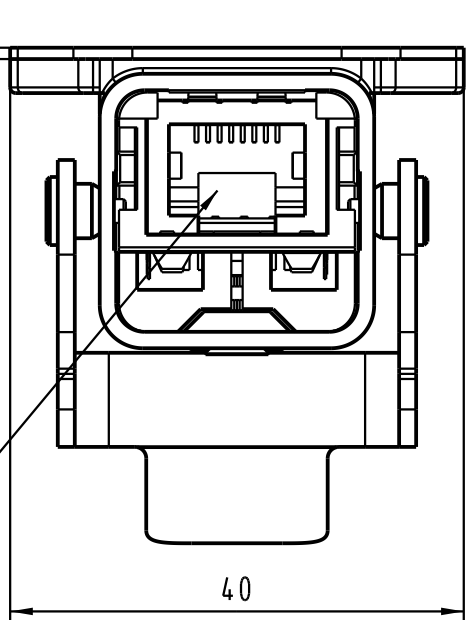
C

D

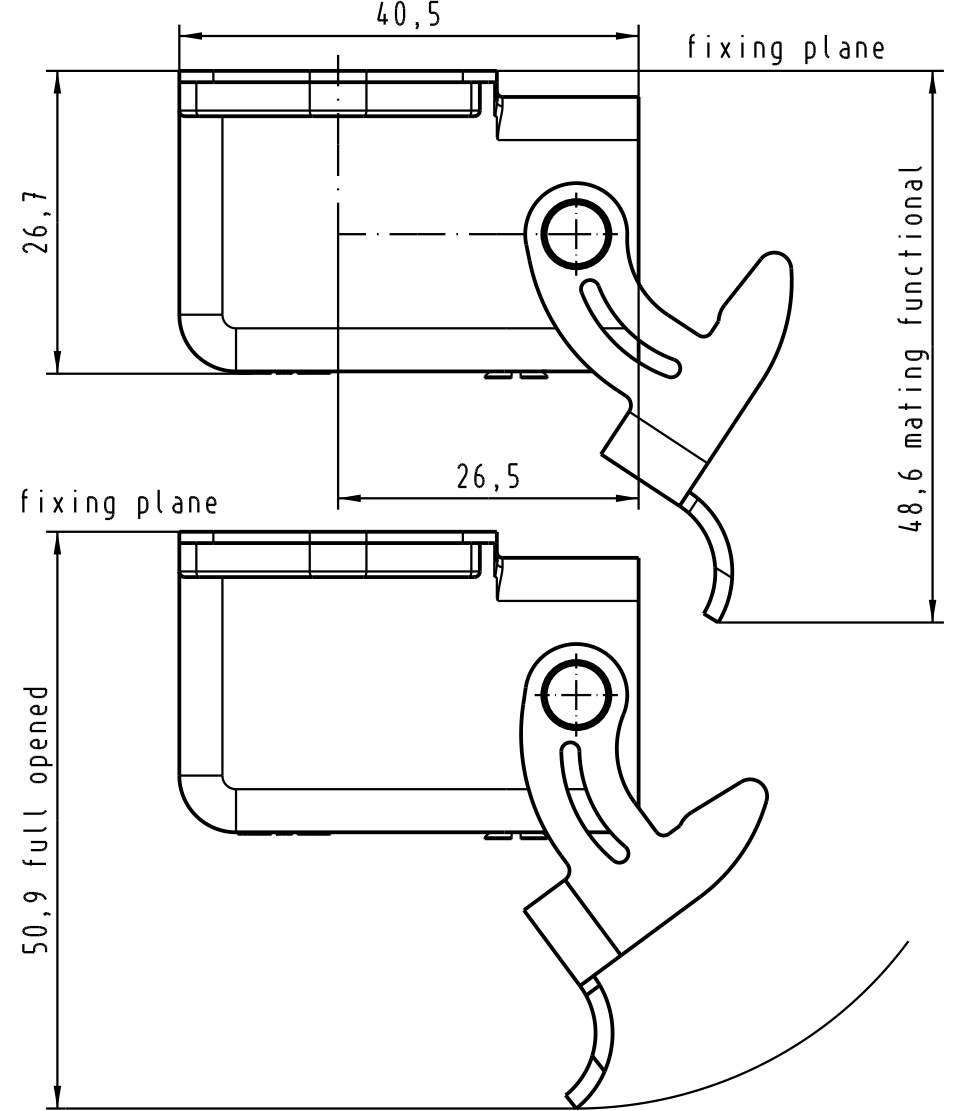


flat seal 1 mm

IEC 60603-7
SMC modular jack
12mm maxi. height
above PC-Board



40



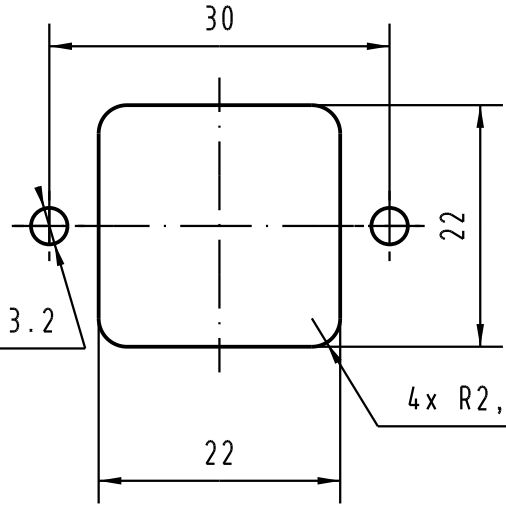
fixing plane

48,6 mating functional

fixing plane

50,9 full opened

recommended panel
cutout dimensions



30



22

22

M3 or ø 3.2

4 x R2,5

matable with
IEC 61076-3-106 variant 05
Panel feed through pitch
on panel = 41 mm

| | | | | | | | | |
|-------|-----------|------|-------------------------------|-----------|------|---|---|----------------------------|
| | | | | Dat. | Name |  All Dim. in mm Orig. Size DIN A 4 | RJ Industrial Han3A Panel feed through 90° angled metal version | Maßstab/ Scale 1,5:1 |
| | | | Detail. | 16-NOV-04 | JB | | | |
| | | | Insp. | | | | | |
| | | | Stand. | | | | | |
| 33083 | 31/08/05 | AM | HARTING EURL F-95972 Paris | | |  | TB 09 45 215 1108 | Blatt/ Page 1 / 1 |
| 32333 | 16-NOV-04 | JB | | | | | | |
| Mod. | Dat. | Name | | | | | | |