

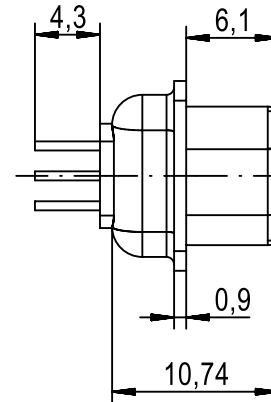
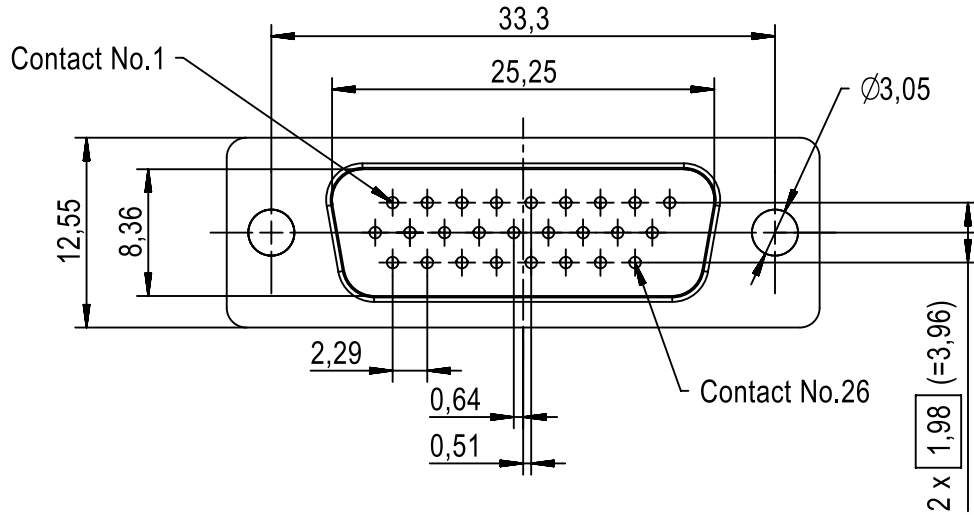
1 2 3 4 5 6

A

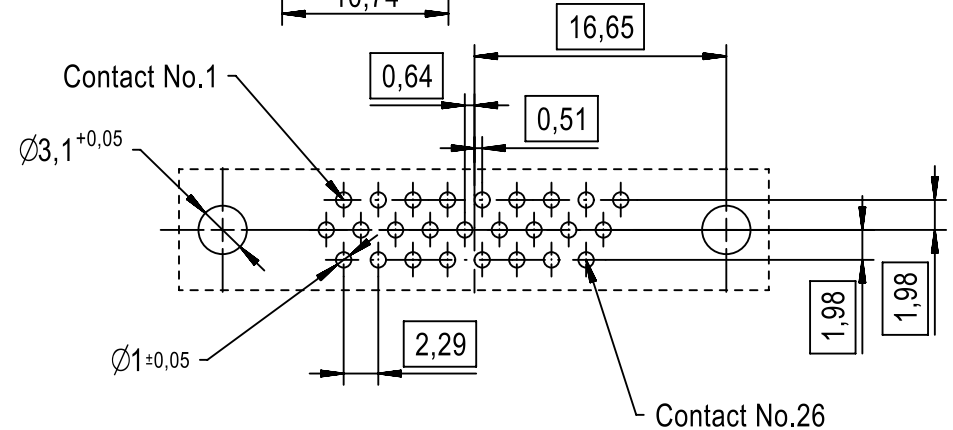
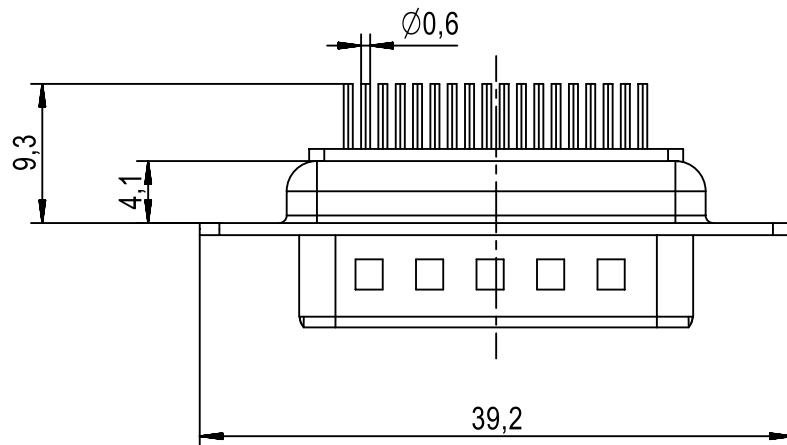
B

C

D



PC-Board layout
view component side
thickness 1,6 mm



09562615700	S4
09562617700	3
Part number	Performance level

	All Dimensions in mm Original Size DIN A4		Scale 2:1	Free size tol.		Ref.
	All rights reserved Department EC PD - FR		Created by DOUGE	Inspected by BAGDIKIAN	Standardisation HOFFMANN	Sub.
HARTING Electronics GmbH D-32339 Espelkamp		Title D-Sub HD 26P male straight solder pins			Date 2013-10-25	State Final Release
		Type TB	Number 0956261X700		Doc-Key / ECM-Nr. 100513335/UGD/001/B 500000065862	Rev. B Page 1/1