

Product data sheet

Power connectors

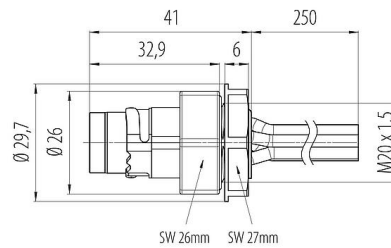


Product description	Bayonet Male panel mount connector, Contacts: 6 (3+PE+2), shieldable, single wires, IP66/IP67, M20x1.5
Area	series 615
Part no.	09 6121 150 06

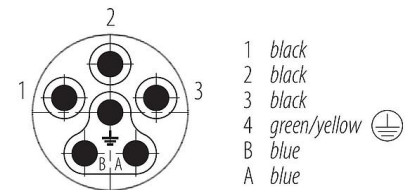
Illustration



Scale drawing



Contact arrangement (Plug-in side)



You can find the assembly instructions on the next page.

Technical data

General features

Part no.	09 6121 150 06
Connector design	Male panel mount connector
Wire length	0.15 m
Version	Panel mount Connectors
Connector locking system	Bayonet
Termination	single wires
Degree of protection	IP66/IP67
Cross-sectional area	1.50 mm ² / AWG 16
Temperature range from/to	-35 °C / 90 °C
Mechanical operation	> 500 Mating cycles
Weight (g)	0.00
Customs tariff number	85369010
Country of Origin	DE

Electrical parameters

Rated voltage	Power: 600 V, Signal: 63 V
Rated impulse voltage	Power: 6000 V, Signal: 1500 V
Rated current	Power: 16 A, Signal: 10 A
Pollution degree	3
Overvoltage category	III
Insulating material group	II
EMC compliance	shieldable

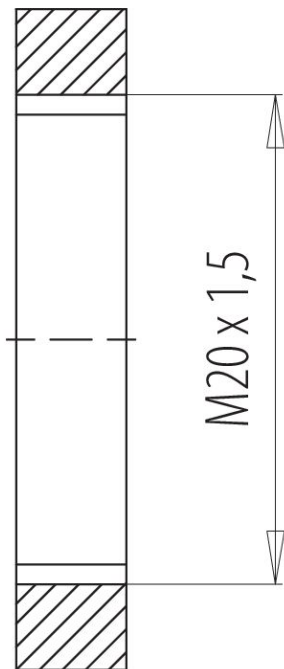
Material

Housing material	Zinc die-cast nickel-plated
Contact body material	PA
Contact material	Copper alloy
Contact plating	Ag (silver)
Material seal	NBR
SCIP number	SCIP-number not available

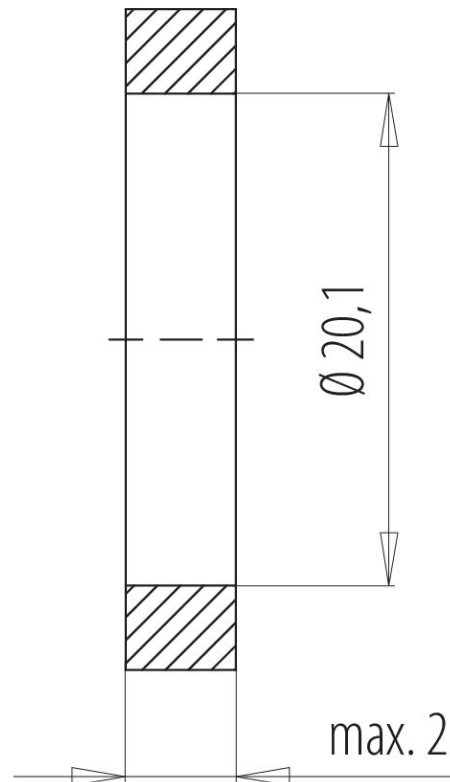
Product description	Bayonet Male panel mount connector, Contacts: 6 (3+PE+2), shieldable, single wires, IP66/IP67, M20x1.5
Area	series 615
Part no.	09 6121 150 06

Assembly instructions / Panel cut-out

With thread



With bore hole



Product description	Bayonet Male panel mount connector, Contacts: 6 (3+PE+2), shieldable, single wires, IP66/IP67, M20x1.5
Area	series 615
Part no.	09 6121 150 06

Security notices

The connector must not be plugged or unplugged under load. Non-observance and improper use can result in personal injury.

The connectors have been developed for applications in plant engineering, control and electrical equipment construction. The user is responsible for checking whether the connectors can also be used in other areas of application.

Connectors which are used in circuits with voltages dangerous to the touch may only be installed and used by, or under the supervision of, persons with electrical engineering training, taking into account the applicable regulations and standards.

The user must take suitable safety precautions to ensure that the connector cannot be accidentally disconnected.

Plug connectors with enclosure protection IP67 and IP68 are not suitable for use under water. When used outdoors, the plug connectors must be protected separately against corrosion. For further information on the IP protection classes, please refer to the "Technical Information" download centre.

The plug connector is not suitable for mains voltages. Please observe the pollution degree and the overvoltage category. For further information, please refer to the download center "Technical Information".

To lock the cable connector with the device connector, the threaded ring is tightened "hand-tight" (approx. 60 cNm).