

1 2 3 4 5 6

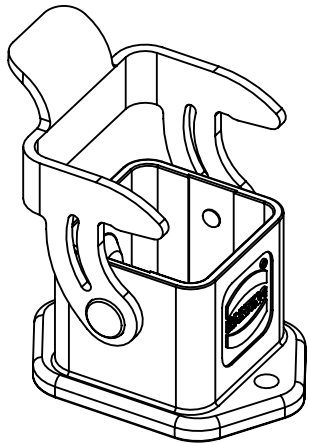
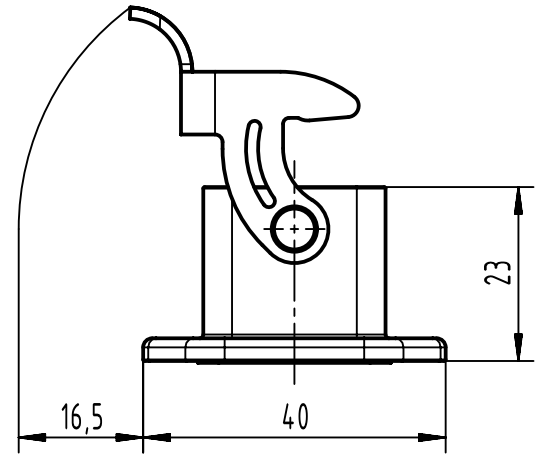
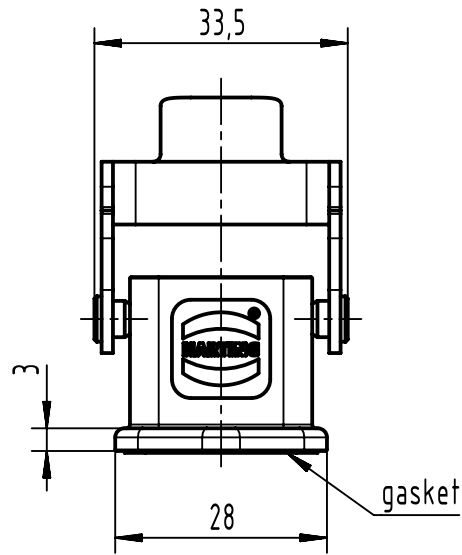
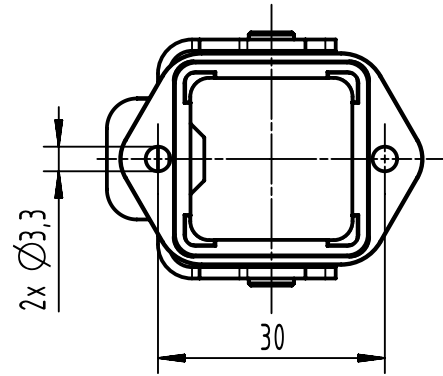
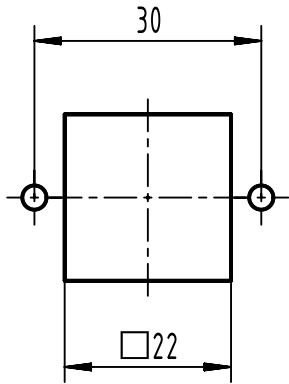
A


B

C

D

panel cut out



	All rights reserved Department EL PD	All Dimensions in mm Original Size DIN A4		Scale 1:1	Free size tol.		Ref.
		HARTING D-32339 Espelkamp	Created by SPRENB	Inspected by SUNDERMEIER	Standardisation 302077	Date 2021-05-11	State Final Release
			Title Han 3EMC-HBM-SL			Doc-Key / ECM-Nr. 100090367/UGD/003/H 500000194918	
			Type TB	Number 09 62 003 0301		Rev. H	Page 1/1