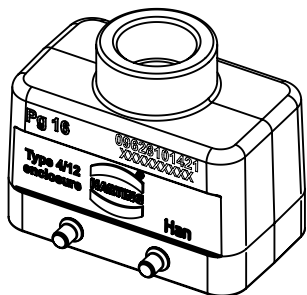
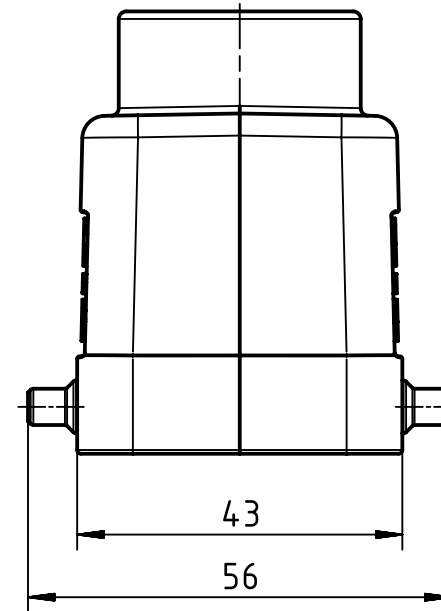
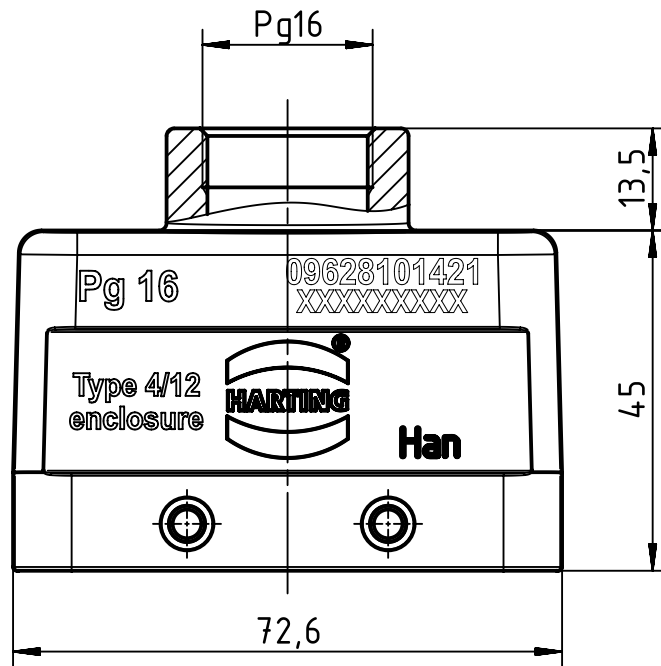


A

B

C

D



	All Dimensions in mm Original Size DIN A4		Scale 1:1	Free size tol.		Ref.	
			Created by HELLMANN	Inspected by GERB	Standardisation RUETERA	Date 2019-12-02	State Final Release
All rights reserved Department EL PD		Title Han EMC/B 10 Hood Top Entry PG 16				Doc-Key / ECM-Nr. 100192230/UGD/004/D 500000161508	
HARTING Electric GmbH & Co. KG D-32339 Espelkamp		Type TB	Number 09 62 810 1421			Rev. D	Page 1/1