

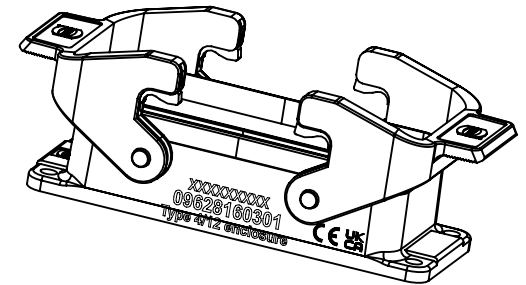
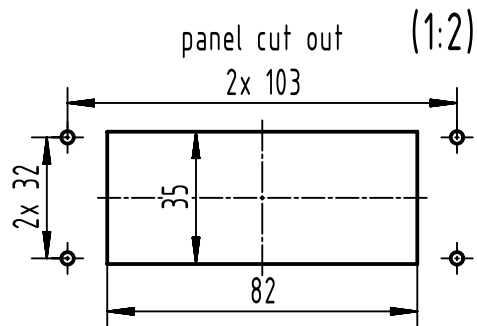
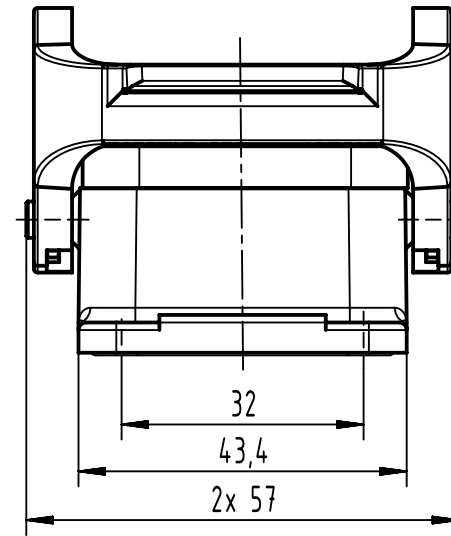
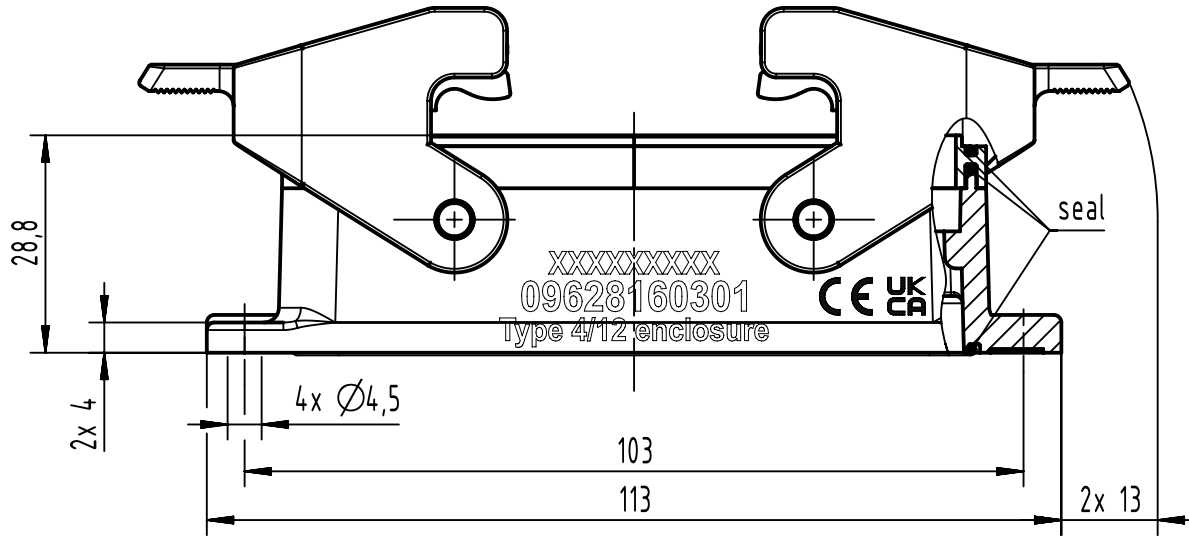
1 2 3 4 5 6


A

B

C

D



	All rights reserved Department EL PD	All Dimensions in mm Original Size DIN A4		Scale 1:1	Free size tol.	Ref. Sub.
		Created by SPRENB	Inspected by GERB	Standardisation	Date 2023-07-11	State Final Release
HARTING D-32339 Espelkamp		Title Han EMC/B 16 Base Panel			Doc-Key / ECM-Nr. 100196950/UGD/004/E 500000248000	
		Type TB	Number 09 62 816 0301		Rev. E	Page 1/1