

## Han EMC/B 24 Base Panel

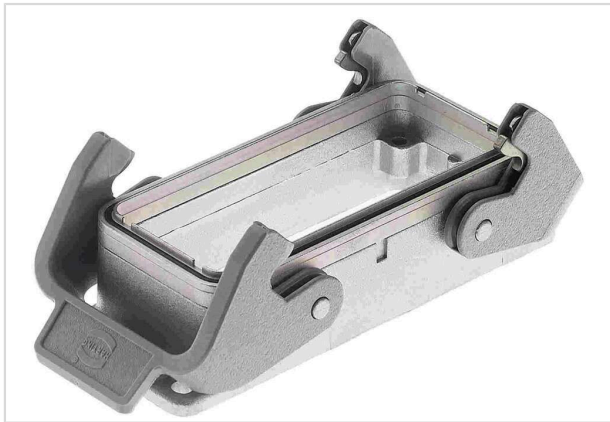


Image is for illustration purposes only. Please refer to product description.

Part number	09 62 824 0301
Specification	Han EMC/B 24 Base Panel
HARTING eCatalogue	<a href="https://b2b.harting.com/09628240301">https://b2b.harting.com/09628240301</a>

### Identification

Category	Hoods/Housings
Series of hoods/housings	Han <sup>®</sup> EMC/B
Type of hood/housing	Bulkhead mounted housing
Description of hood/housing	Internal seal
Type	Low construction

### Version

Size	24 B
Locking type	Double locking lever
Han-Easy Lock <sup>®</sup>	Yes
Field of application	Hoods/Housings for higher EMC requirements

### Technical characteristics

Limiting temperature	-40 ... +125 °C
Note on the limiting temperature	For use as a connector according to IEC 61984.
Degree of protection acc. to IEC 60529	IP65
Type rating acc. to UL 50 / UL 50E	4 12

### Material properties

Material (hood/housing)	Aluminium die-cast
Surface (hood/housing)	Uncoated
Colour (hood/housing)	Unpainted



Pushing Performance  
Since 1945

## Material properties

Material (seal)	NBR
Material (locking)	Polycarbonate (PC) Stainless steel
Colour (locking)	RAL 7037 (dust grey)
Material flammability class acc. to UL 94 (locking levers)	V-0
RoHS	compliant
ELV status	compliant
China RoHS	e
REACH Annex XVII substances	Not contained
REACH ANNEX XIV substances	Not contained
REACH SVHC substances	Yes
REACH SVHC substances	Potassium 1,1,2,2,3,3,4,4,4-nonafluorobutane-1-sulphonate
California Proposition 65 substances	Yes
California Proposition 65 substances	Lead Nickel Naphthalene
Fire protection on railway vehicles	EN 45545-2 (2020-08)
Requirement set with Hazard Levels	R22 (HL 1-3) R23 (HL 1-3)

## Specifications and approvals

UL / CSA	UL 1977 ECBT2.E235076 CSA-C22.2 No. 182.3 ECBT8.E235076
Approvals	CE DNV GL

## Commercial data

Packaging size	1
Net weight	150 g
Country of origin	Germany
European customs tariff number	85389099
GTIN	5713140074217
ETIM	EC000437
eCl@ss	27440202 Shell for industrial connectors