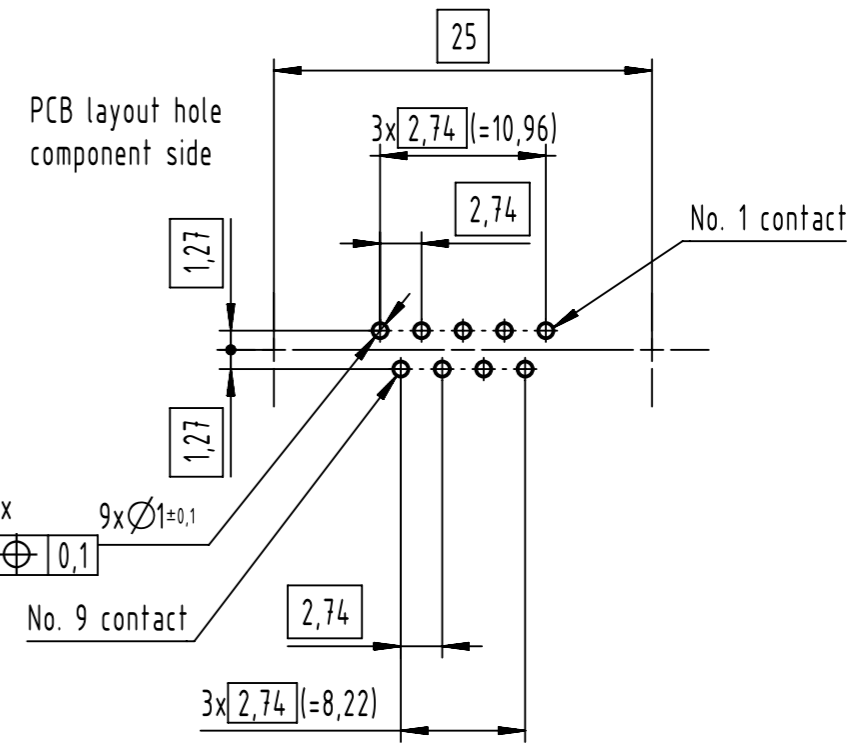
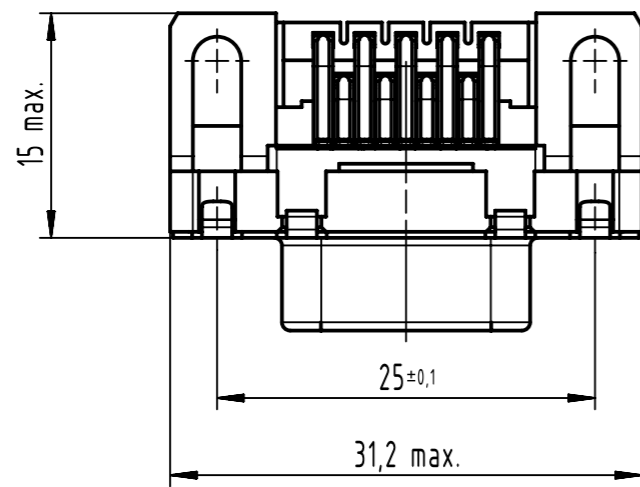
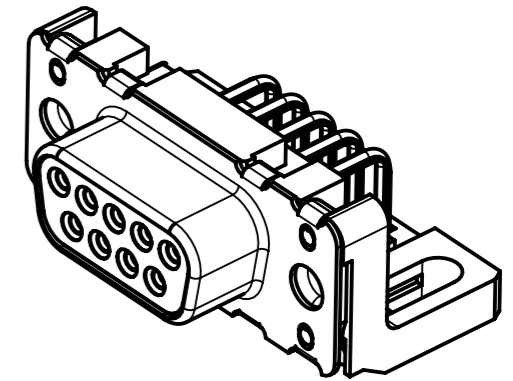
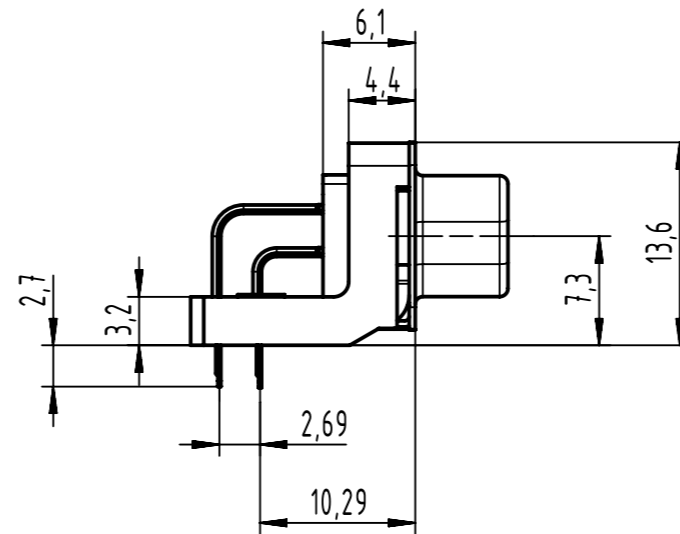
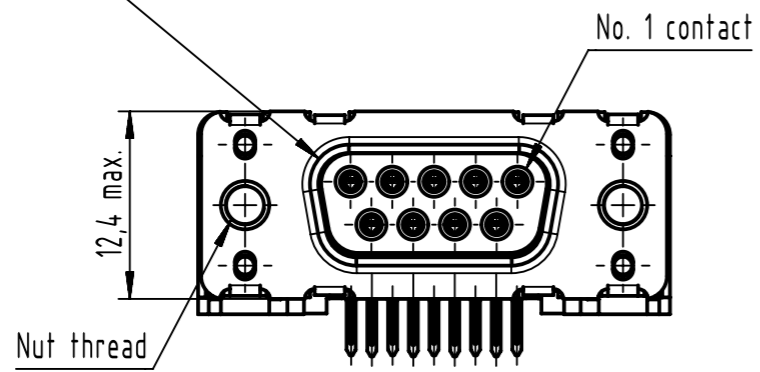


Mating face according to : MIL-C-24308/ DIN 41652/ CECC 75301-802



0966 112 2602	4-40 UNC	PLS5
0966 112 5602	4-40 UNC	PLS4
0966 112 3602	4-40 UNC	PL1
0966 112 6602	4-40 UNC	PL2
0966 112 7602	4-40 UNC	PL3
0966 112 2601	M3 x 0,5	PLS5
0966 112 5601	M3 x 0,5	PLS4
0966 112 3601	M3 x 0,5	PL1
0966 112 6601	M3 x 0,5	PL2
0966 112 7601	M3 x 0,5	PL3
Part number	Nut thread	Performance level

	All rights reserved Department EL PD	All Dimensions in mm Original Size DIN A3		Scale 2:1	Free size tol.	Ref. Sub.
		Created by ZHUANGJ	Inspected by LUOK	Standardisation ROEBEN	Date 2022-03-29	State Final Release
HARTING D-32339 Espelkamp		Title D-SUB S 09P ANG FE THT54			Doc-Key / ECM-Nr. 101004-109/UGD/000/A 500000214635	
		Type TB	Number 0966112X60X		Rev. A	Page 1/1