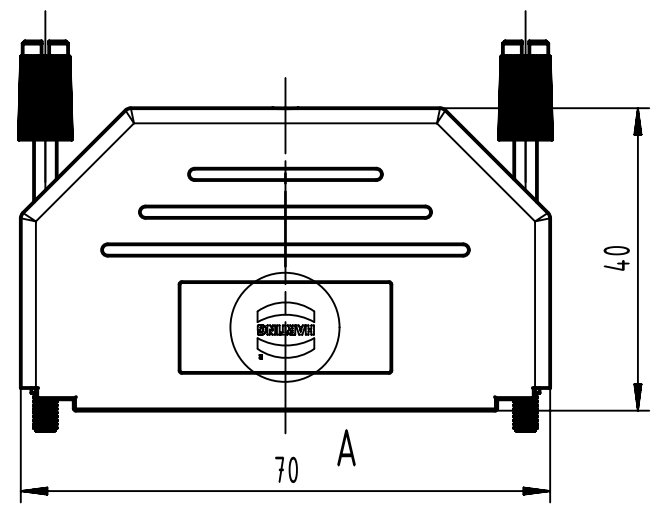
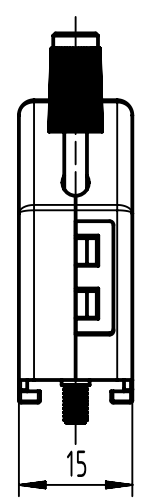
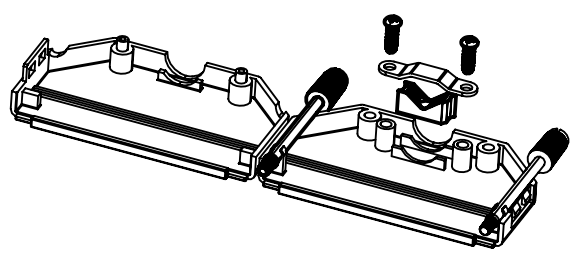
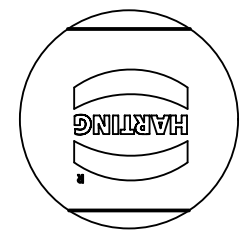
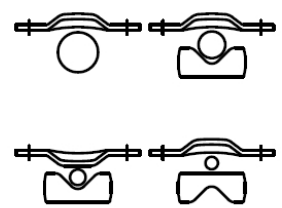
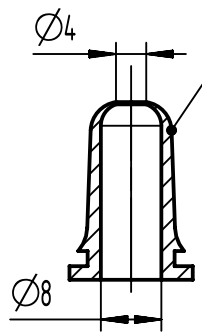


A (2:1)



Optional part: Rubber grommet  
P/N: 09670019981



	All Dimensions in mm Original Size DIN A4		Scale 1:1	Free size tol.		Ref. Sub.		
	All rights reserved Department EL PD		Created by ZHUANGJ	Inspected by LUOK	Standardisation ROEBEN	Date 2023-03-07	State Final Release	
HARTING D-32339 Espelkamp			Title D-Sub H plastic top entry hood 37-pole knurled screws				Doc-Key / ECM-Nr. 100919595/UGD/000/B 500000238887	
			Type TB	Number 09670370424			Rev. B	Page 1/1