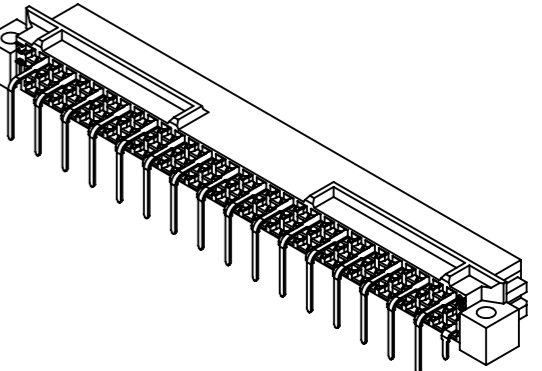


A
board drillings

B
contact arrangement

32 signal contacts
 ☒ = position with contact
 □ = position without contact

C (2:1)



09 73 232 7801	3
09 73 232 6801	2
09 73 232 2801	1
part no.	performance level

further information see product data sheet

	All Dimensions in mm Original Size DIN A3		Scale 1:1	Free size tol. IEC 60603-2		Ref. Sub.	
	All rights reserved Department EL PD		Created by STORCK	Inspected by LEHNERT	Standardisation	Date 2023-10-18	State Final Release
HARTING D-32339 Espelkamp		Title DIN Signal type R female solder angled 32-pole				Doc-Key / ECM-Nr. 100104712/UGD/007/C 500000230199	
		Type TB	Number 0973232X801		Rev. C	Page 1/1	