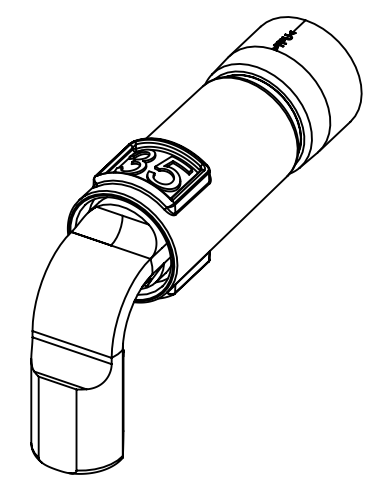
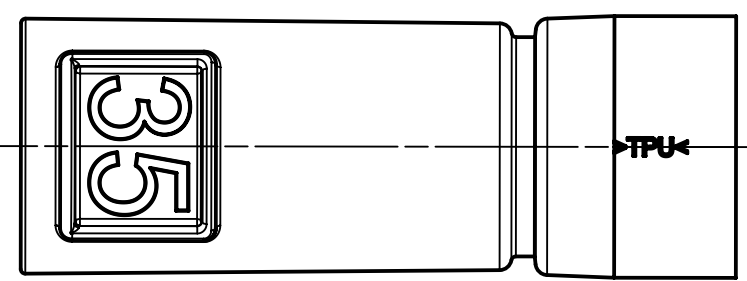
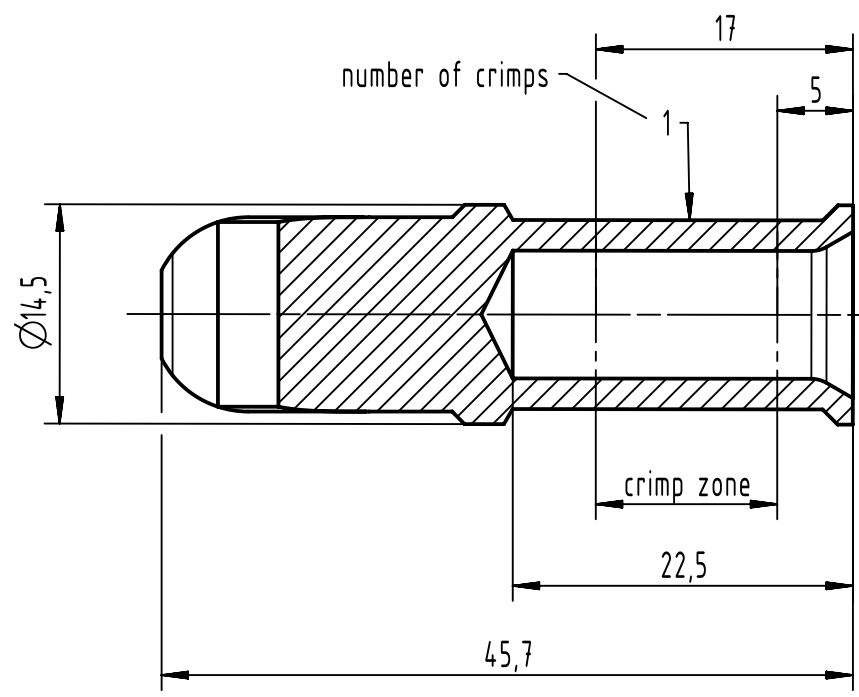


A-A (2:1)



assembly notes see catalog
 crimp zone acc. to DIN EN 46235; indicator 12
 for stranded fine wire acc. to VDE 0295 class 5 / IEC 60228 class 5
 wire gauge: 35mm²
 stripping length: 22mm

Coating	A=	mm ²	V=	mm ³	m=	g	Mat.
	All Dimensions in mm Original Size DIN A3		Scale 1:1	Free size tol.			Ref. Sub.
	All rights reserved Department EL PD		Created by SHENGJ	Inspected by WANGSTE	Standardisation ROEBEN	Date 2022-12-06	State Final Release
HARTING D-32339 Espelkamp		Title Han® S 200 FC CRT 35 mm ² w. rubb. sleeve				Doc-Key / ECM-Nr. 100833556/UGD/000/D 50000223598	
		Type TB	Number 09 93 000 6263			Rev. D	Page 1/1