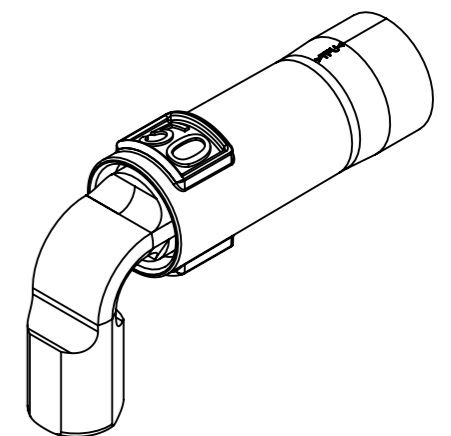
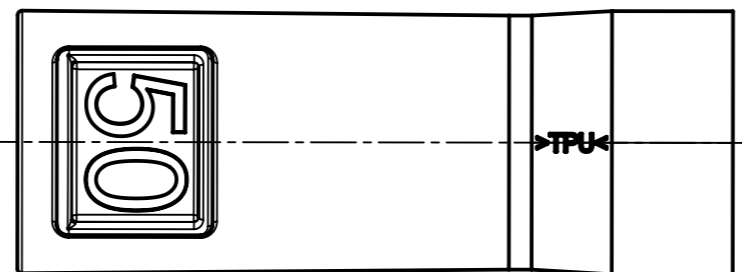



A-A (2:1)



assembly notes see catalog
 crimp zone acc. to DIN EN 46235; indicator 14
 for stranded fine wire acc. to VDE 0295 class 5 / IEC 60228 class 5
 wire gauge: 50mm²; 1/0 AWG
 stripping length: 22mm

	All rights reserved Department EL PD	All Dimensions in mm Original Size DIN A3		Scale 1:1	Free size tol.	Ref. Sub.
		Created by SHENGJ	Inspected by WANGSTE	Standardisation ROEBEN	Date 2022-12-06	State Final Release
HARTING D-32339 Espelkamp		Title Han@ S 200 FC CRT 50 mm ² w. rubb. sleeve			Doc-Key / ECM-Nr. 100833557/UGD/000/F 50000223598	
		Type TB	Number 09 93 000 6264		Rev. F	Page 1/1