

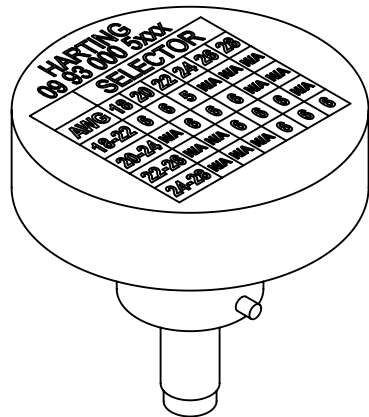
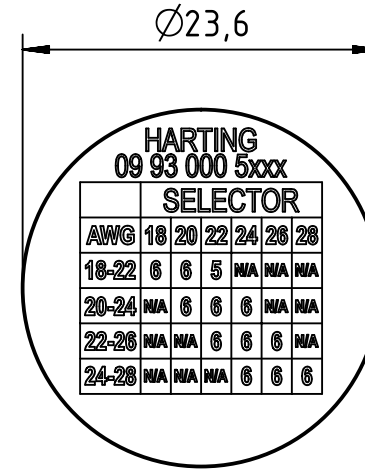
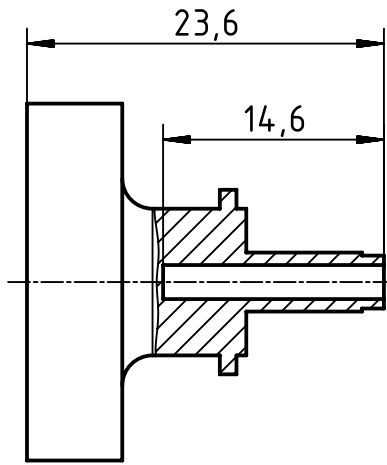
1 2 3 4 5 6


A

B

C

D



	All rights reserved Department EL PD - DE	All Dimensions in mm Original Size DIN A4		Scale 2:1	Free size tol.		Ref.		
		Created by FINKEV		Inspected by RIEPE		Standardisation TIEMANNA		Date 2018-02-19	
HARTING Electric GmbH & Co. KG D-32339 Espelkamp		Title Locator D-Sub für. 0501 (Gigabit Modul C)						State Final Release	
		Type TB				Number 09 99 000 0897		Doc-Key / ECM-Nr. 100766892/UGD/001/A 500000131502	
						Rev. A		Page 1/1	