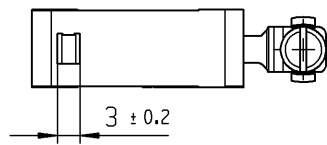
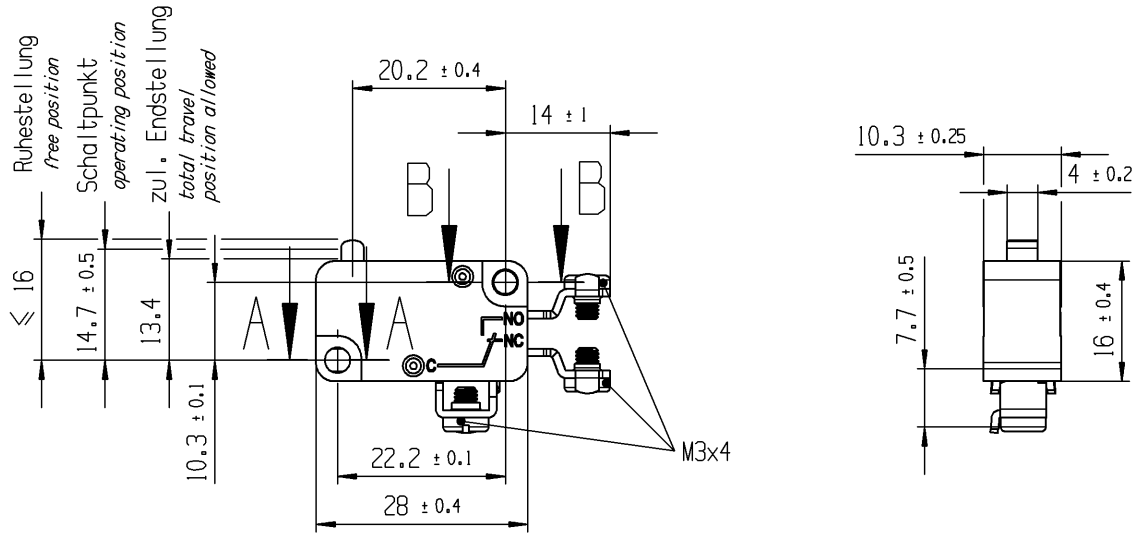


CONFIDENTIAL

VERTRAULICH

THIS DRAWING IS THE EXCLUSIVE PROPERTY OF MARQUARDT. WITHOUT THEIR CONSENT IT MAY NOT BE REPRODUCED OR GIVEN TO THIRD PARTIES.

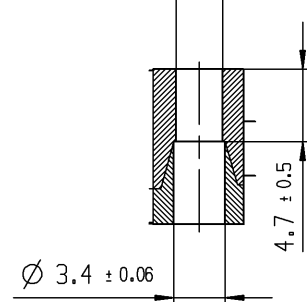
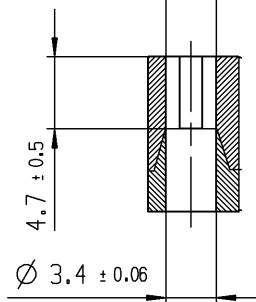


A-A  
2:1

B-B  
2:1

3.35 ± 0.05 × 3.08 ± 0.06

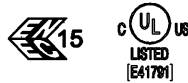
∅ 3.08 ± 0.06



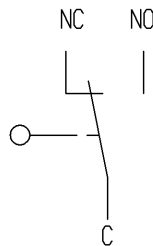
Aufschrift  
marking



1005 μ  
10(14)A 400V AC 1E4  
6(2.5)A 400V AC 5E4 T100



Herstellort / -jahr / -woche  
date code of manufacture:  
place / year / week



Wechsler 1-polig  
single pole changeover

Schalt-Betaetigungskraft 1.5 bis 2.5 N  
actuating force 0.2 up to 0.6 N

Differenzweg ≤ 0.3 mm  
movement differential

Alle Rechte bei Marquardt, auch fuer den Fall von Schutzrechtsmeldungen. Jede Veruegungsbefugnis, wie Kopier- und Weitergaberecht, bei uns.

-	-	-	1005.0101-XX							
Figure	Type	Customer No.	Art.No.-PI							
General tolerances										
All dimensions are in millimetres	Shape and location ⊙ ≡	Angle ± 2 °	Edge tolerance 	Length	Radii	Sheet 01	Ident. K	Document number 10050101	Index e	
				0-6	± 0.1					± 0.2
				>6-15	± 0.15					± 0.3
				>15-30	± 0.2					± 0.5
				>30-70	± 0.3					
				>70-120	± 0.4					± 10%
>120	± 0.8									
e	128297	2020-01-15	HHE	Format DIN A4	Projection	Scale 1:1	Snap action switch			
d	83050	2014-02-04	BRC							System NX V11.0
c	28404	2000-01-19	PFU							Replacement of Zg.gl.Nr.v.19.01.2000
b	20923	1991-06-20	WA				 MARQUARDT			
Index	MEC-No.	Date (YYYY-MM-DD)	Edited by							