

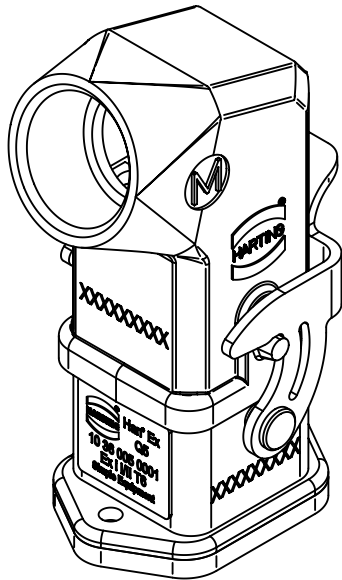
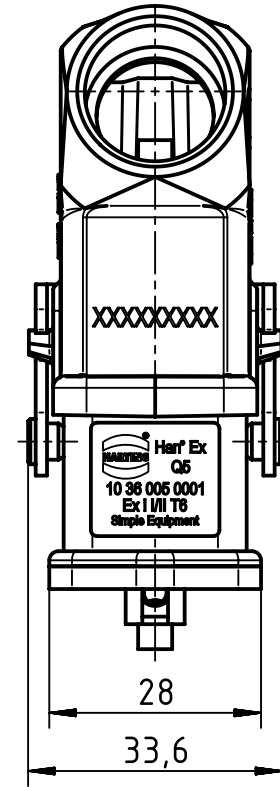
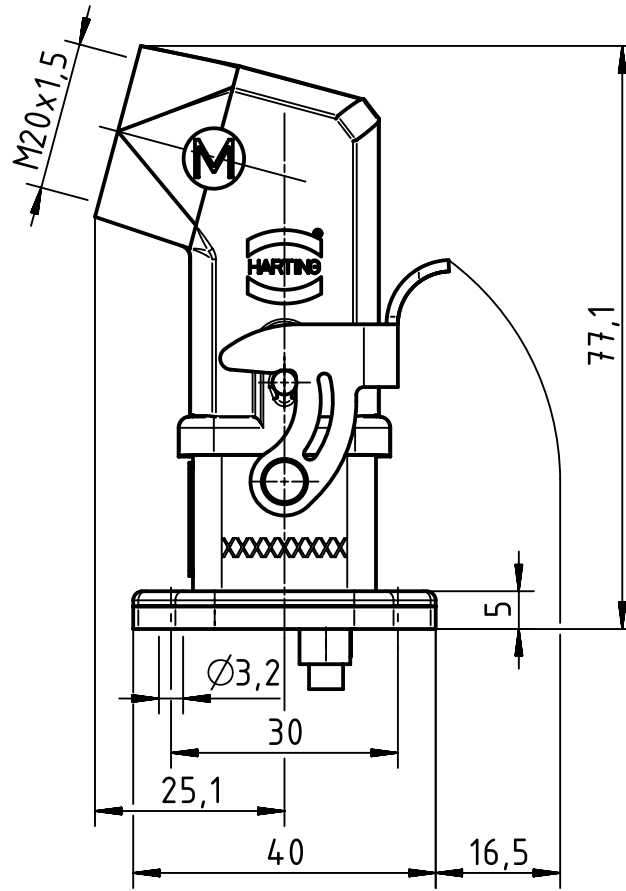
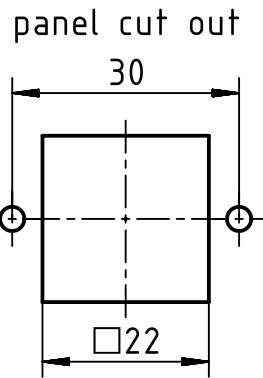
1 2 3 4 5 6

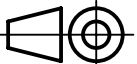

A

B

C

D



	All Dimensions in mm Original Size DIN A4		Scale 1:1	Free size tol.		Ref.
						Sub.
	All rights reserved		Created by HARLASSK	Inspected by MOOR	Standardisation TIEMANNA	Date 2015-05-19
	Department EL PD - DE		Title Han Ex Q5 Kit HBM/HSE-M20		State Final Release	
HARTING Electric GmbH & Co. KG D-32339 Espelkamp			Type TB	Number 10 36 005 0001		Doc-Key / ECM-Nr. 100570447/UGD/002/B 500000089331
					Rev. B	Page 1/1