

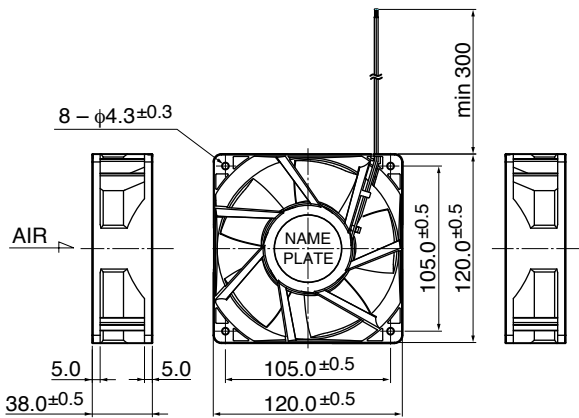
12038VA (E-Type)

DC Axial Fan

120[□]X38^L



Outline



* Outline is E (Flange) type.

General Specifications

Motor Protection : Auto Restart / Polarity Protection

Insulation Resistance : 10MΩ or over with a DC500V Megger
 Dielectric Withstand Voltage : AC700V 1s
 : M, N, P, Q Class : -10°C ~ +70°C (Operating)

Allowable Ambient Temperature Range : R Class : -10°C ~ +60°C (Operating)
 : -40°C ~ +70°C (Storage)
 non-condensing environment

Expected Life

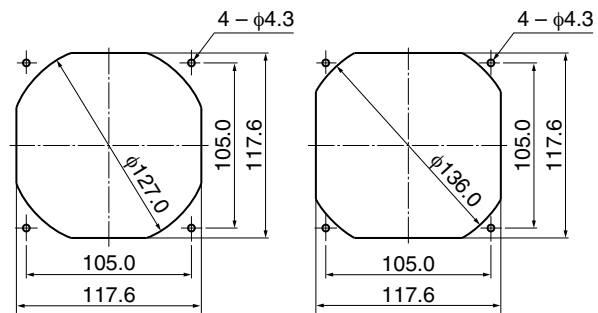
※ Failure Rate: 10% (L10 Life)

60°C 40,000 (Hours)

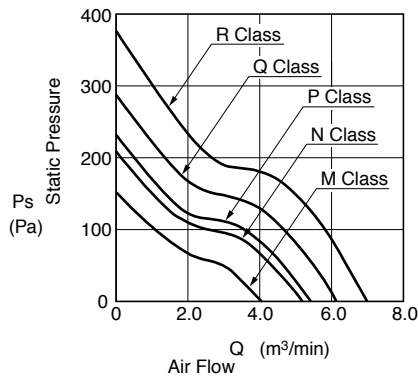
Panel Out-cuts

(Inlet Side)

(Outlet Side)



Characteristic Curves



Material

Casing : Plastic (Black) UL94V-0
 Impeller : Plastic (Black) UL94V-0
 Bearing : Ball Bearing
 Lead Wire : UL10368 AWG24 + : Red, - : Black

Customize service for IP compatible type and Oil-proof type is available for this item. Please contact to our sales representative for more detail.

Specifications

□ = Casing Form --- A: Rib Type, E: Flange Type

Model	Product No.	Rating Voltage	Operating Voltage	Current (A) ^{*1}	Input Power (W) ^{*1}	Speed (min ⁻¹) ^{*1}	Max. Air Flow		Max. Static Pressure		Noise (dB) ^{*1}	Mass (g)
		(V)	(V)				(m ³ /min) ^{*1}	(CFM) ^{*1}	(Pa) ^{*1}	(In H ₂ O) ^{*1}		
12038VA-24M-□AE-	0	24	18.0 ~ 27.6	0.45	10.80	3800	4.00	141.2	150.0	0.60	53.0	370
12038VA-24N-□AE-	0			0.74	17.76	4700	5.17	182.6	207.0	0.83	59.0	
12038VA-24P-□AE-	0			0.74	17.76	5000	5.35	188.9	235.0	0.94	60.0	
12038VA-24Q-□AE-	0			1.04	24.96	5700	6.11	215.7	287.0	1.15	63.0	
12038VA-24R-□AE-	0			1.48	35.52	6400	6.90	243.6	370.0	1.49	66.0	

Rotation: Clockwise as seen from the label side
 Airflow Outlet: Label side

*1: Average Values in Free Air