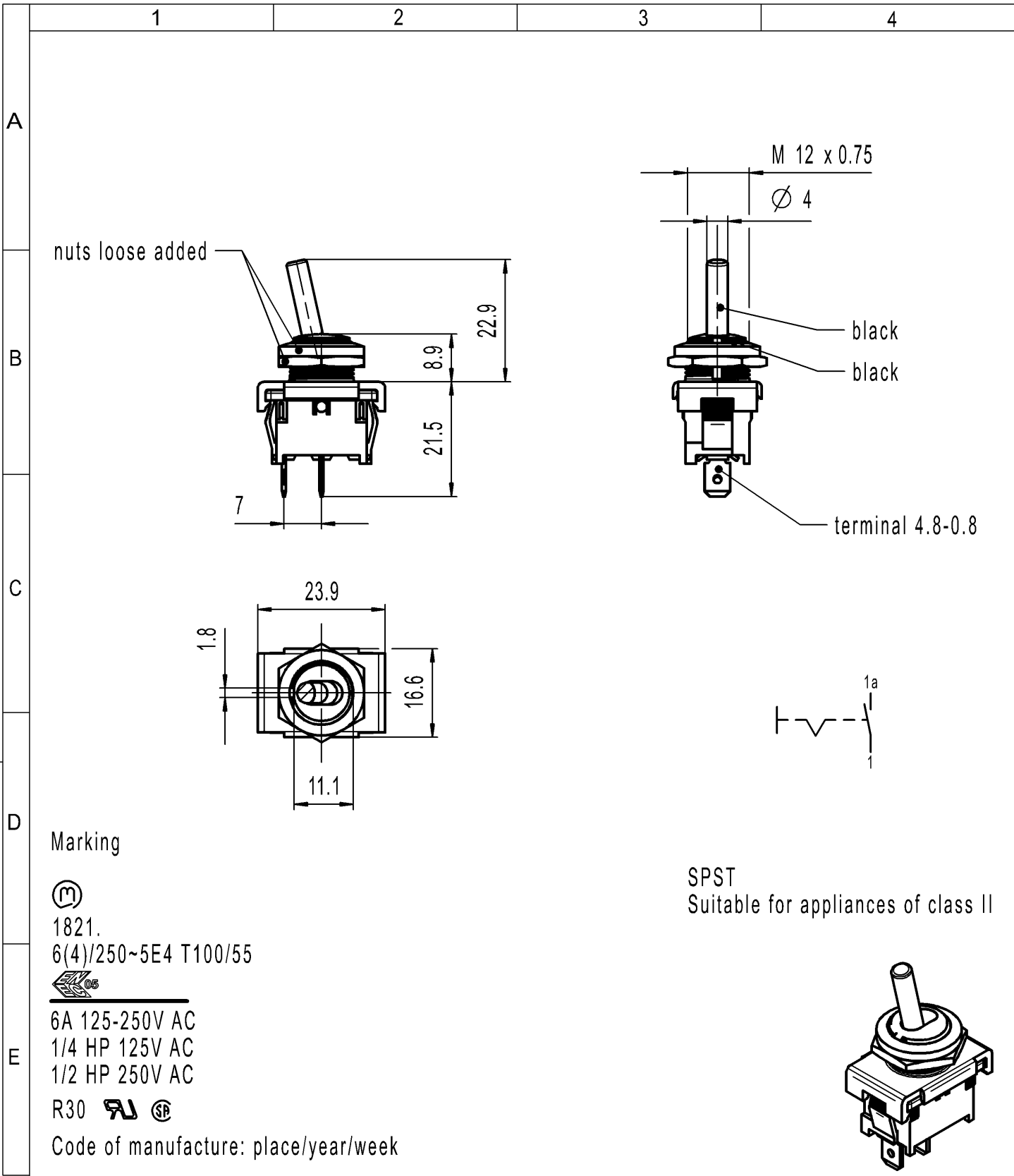


CONFIDENTIAL

VERTRAULICH

Alle Rechte bei Marquardt, auch fuer den Fall von Schutzrechtsanmeldungen. Jede Veruegungsbefugnis, wie Kopier- und Weitergaberecht, bei uns.

THIS DRAWING IS THE EXCLUSIVE PROPERTY OF MARQUARDT. WITHOUT THEIR CONSENT IT MAY NOT BE REPRODUCED OR GIVEN TO THIRD PARTIES.



Marking

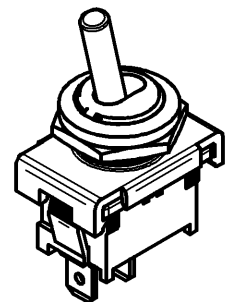
1821.
6(4)/250~5E4 T100/55

6A 125-250V AC
1/4 HP 125V AC
1/2 HP 250V AC

R30

Code of manufacture: place/year/week

SPST
Suitable for appliances of class II



-		-		-		1821.1101-XX				
Figure		Type		Customer No.		Art.No.-PI				
General tolerances				Sheet 01			Ident. K	Document number 18211101	Index e	
All dimensions are in millimetres	Shape and location	Angle $\pm 2^\circ$	Edge tolerance	Length	Radii	Format DIN A4	Projection	Scale 1:1	Appliance Switch	
				0-6	± 0.2					\pm
				>6-15	± 0.4					\pm
				>15-30	± 0.4					\pm
				>30-70	\pm					\pm
>70-120	\pm	\pm								
>120	\pm	\pm								
e	131663	2020-09-08		PANDHAREA			System NX V11.0		MARQUARDT	
d	64505	2010-01-27		MUT						
c	56042	2008-01-21		VOR						
b	29868	2000-06-19		BMI			Replacement of Zg.gl.Nr.v.15.11.2000			
Index	MEC-No.	Date (YYYY-MM-DD)		Edited by						