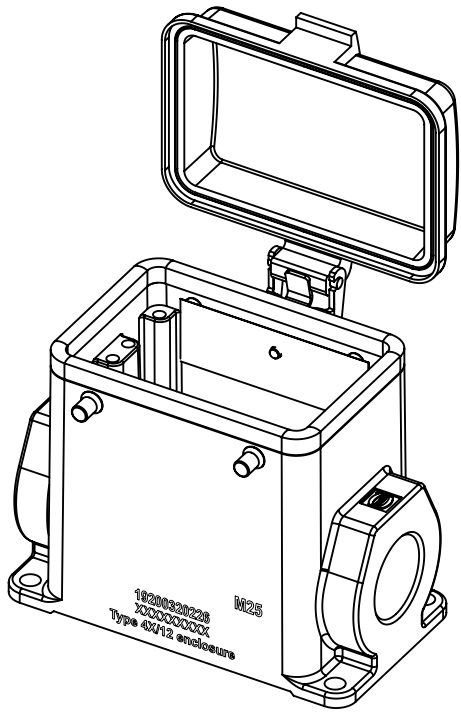
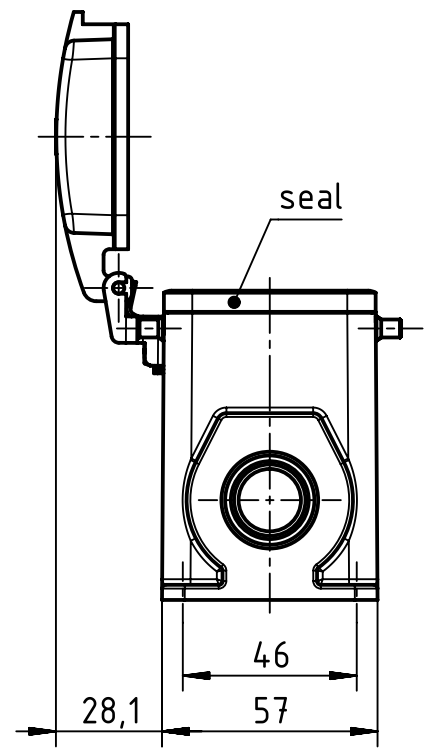
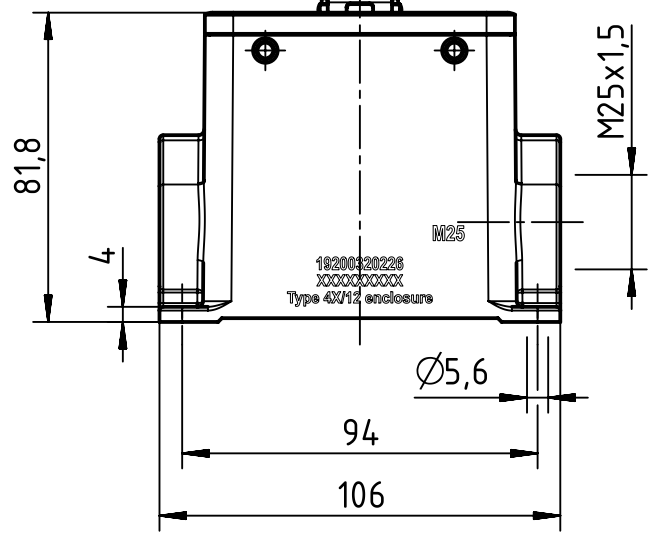
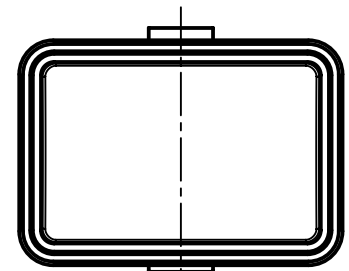


A

B

C

D



	All Dimensions in mm Original Size DIN A4		Scale 1:2	Free size tol.	Ref. Sub. TB 19 20 032 0226 v. 07.01.10		
		All rights reserved	Created by HELLMANN	Inspected by GERB	Standardisation GARSKE	Date 2019-12-02	State Final Release
Department EL PD		Title Han 32A-asg1-K-M25			Doc-Key / ECM-Nr. 100206230/UGD/002/B 5000001614.16		
HARTING Electric GmbH & Co. KG D-32339 Espelkamp		Type TB	Number 19 20 032 0226			Rev. B	Page 1/1