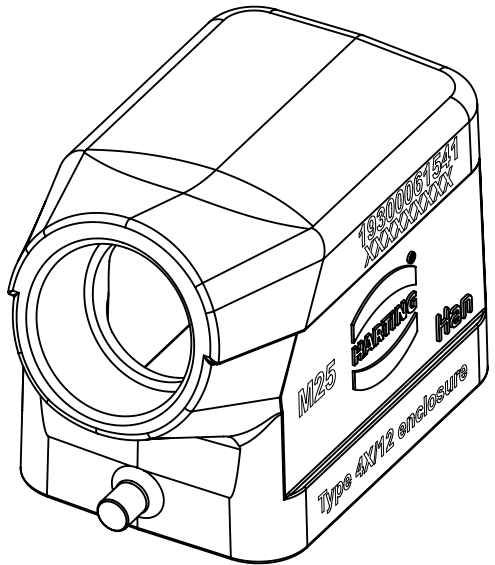
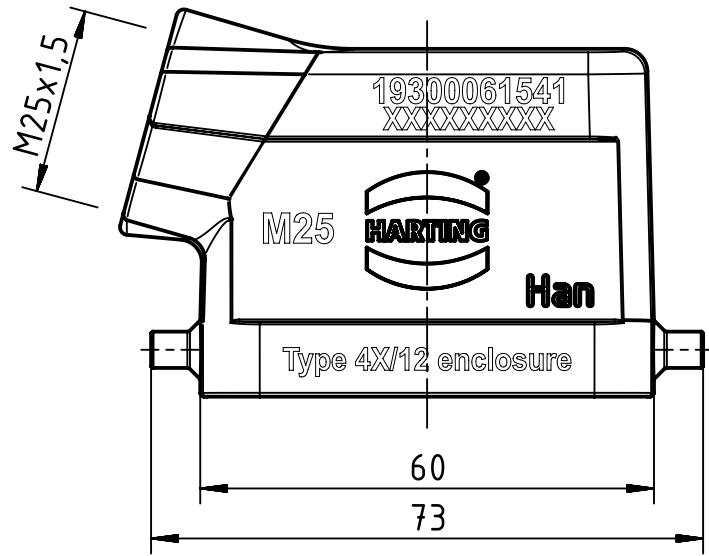
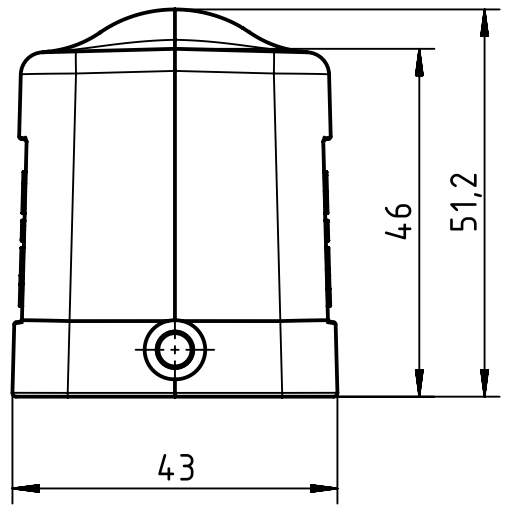


A

B

C

D



	All Dimensions in mm Original Size DIN A4		Scale 1:1	Free size tol.		Ref.
						Sub.
	All rights reserved		Created by SPRENB	Inspected by GERB	Standardisation GARSKE	Date 2019-12-06
	Department EL PD		Title Han B HOOD SIDE ENTRY LC 2 PEGS M25			State Final Release
HARTING Electric GmbH & Co. KG D-32339 Espelkamp			Type TB	Number 19 30 006 1541		Doc-Key / ECM-Nr. 100178823/UGD/004/D 500000161963
					Rev. D	Page 1/1