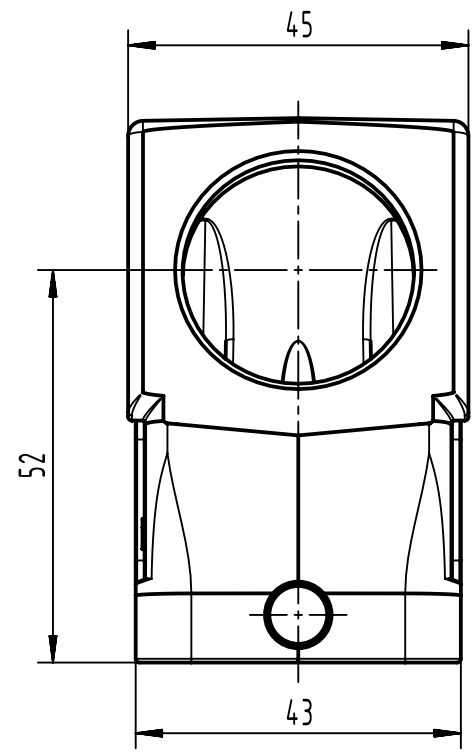
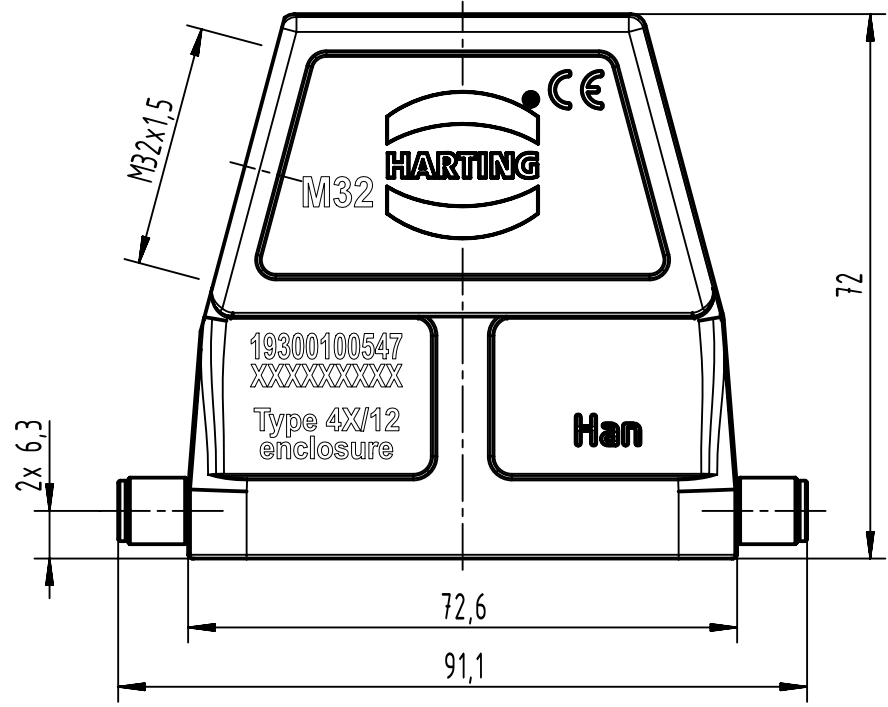
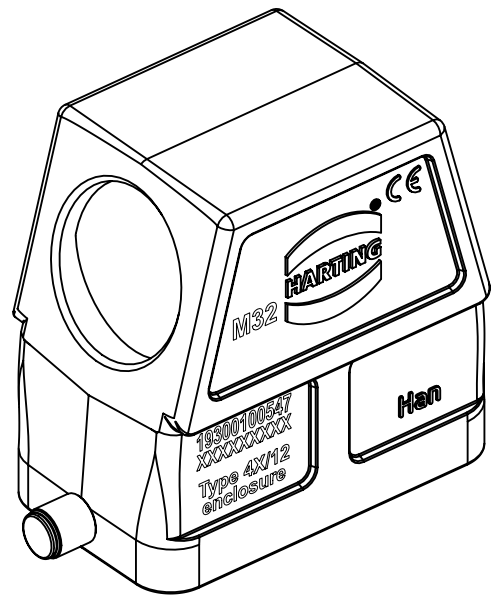


1 2 3 4 5 6

A
B
C
D



	All Dimensions in mm Original Size DIN A4		Scale 1:1	Free size tol.		Ref.	
						Sub.	
	All rights reserved		Created by MEYERLE	Inspected by GERB	Standardisation	Date 2021-10-18	State Final Release
	Department EL PD		Title Han 10B-HSE-R-M32			Doc-Key / ECM-Nr. 100233071/UGD/004/D 500000204.081	
HARTING D-32339 Espelkamp		Type TB	Number 19 30 010 0547			Rev. D	Page 1/1