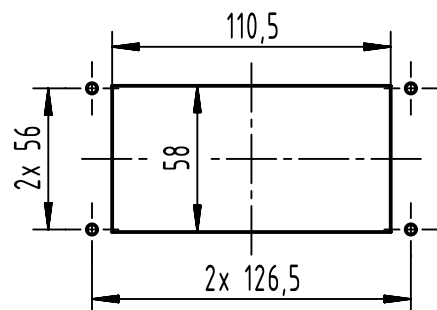


panel cut out (1:3)



	All rights reserved Department EL PD	All Dimensions in mm Original Size DIN A4		Scale 1:2	Free size tol.	Ref.
		Created by SHENGJ	Inspected by WANGSTE	Standardisation ROEBEN	Date 2024-04-10	State Final Release
HARTING (Zhuhai) Manufacturing Co., Ltd. 519085 Zhuhai, China		Title Han 16B HTE M32 PFT CL			Doc-Key / ECM-Nr. 100734181/UGD/001/D 500000267270	
		Type TB	Number 19 30 016 1141		Rev. D	Page 1/1