

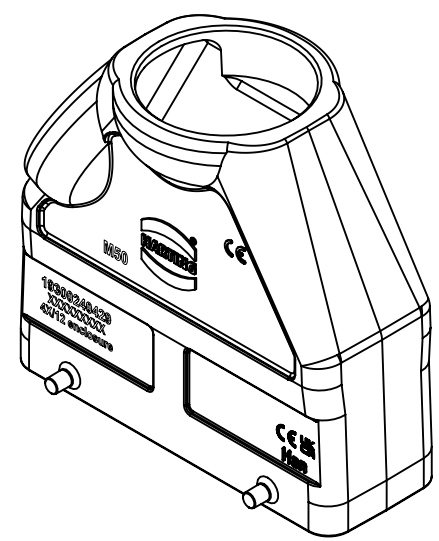
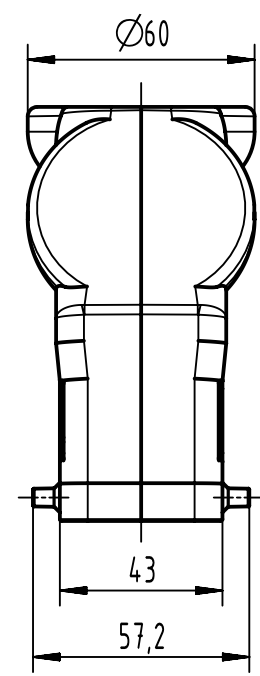
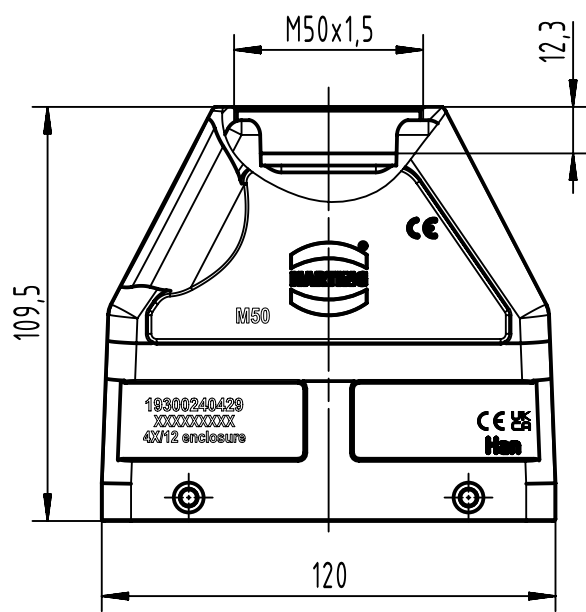
1 2 3 4 5 6

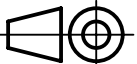

A

B

C

D



 All Dimensions in mm Original Size DIN A4	Scale	Free size tol.		Ref.	
	1:2			Sub.	
 All rights reserved Department EL PD	Created by	Inspected by	Standardisation	Date	State
	105230	GERB		2023-11-23	Final Release
HARTING D-32339 Espelkamp	Title			Doc-Key / ECM-Nr.	
	Han 24B-HTE-M50			100177915/UGD/005/F 500000257544	
Type		Number		Rev.	Page
TB		19 30 024 0429		F	1/1