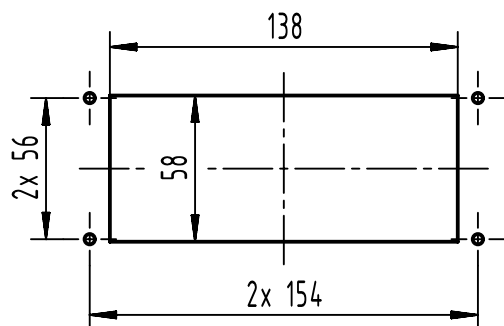



panel cut out (1:3)



	All rights reserved Department EL PD	All Dimensions in mm Original Size DIN A4		Scale 1:2	Free size tol.	Ref. Sub.
		Created by SHENGJ	Inspected by WANGSTE	Standardisation ROEBEN	Date 2024-04-10	State Final Release
HARTING (Zhuhai) Manufacturing Co., Ltd. 519085 Zhuhai, China		Title Han 24B HTE M32 PFT SL			Doc-Key / ECM-Nr. 100734348/UGD/001/D 500000267270	
		Type TB	Number 19 30 024 1131		Rev. D	Page 1/1