

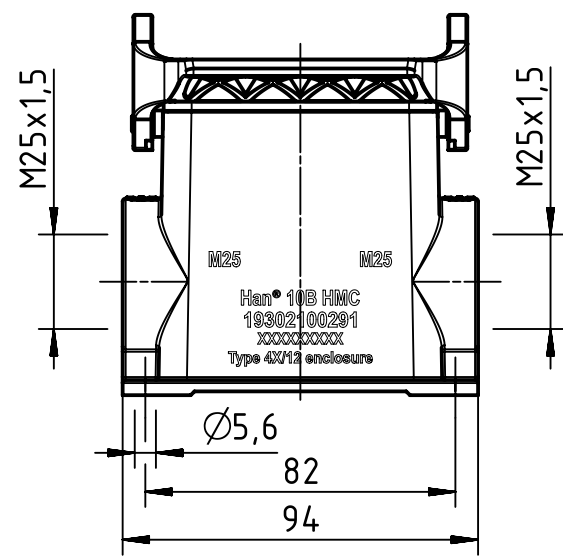
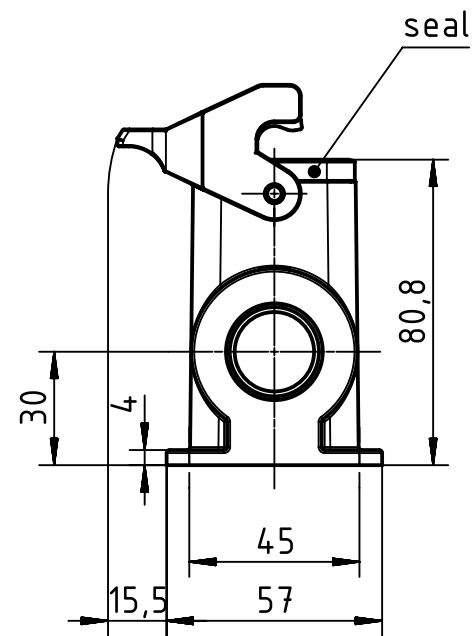
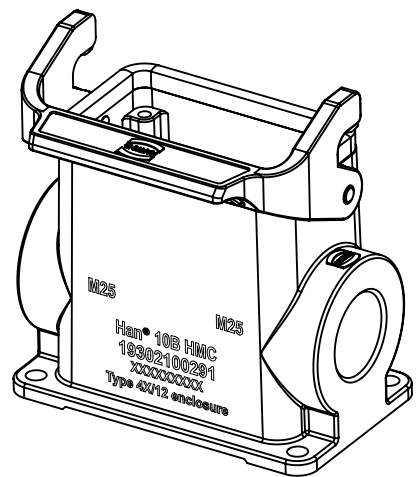
1 2 3 4 5 6

A

B

C

D



	All Dimensions in mm Original Size DIN A4		Scale 1:2	Free size tol.		Ref.
			Created by SPRENB		Inspected by SUNDERMEIER	Standardisation RUETERA
All rights reserved Department EL PD		Title Han 10B-HMC-asg2-LB-M25			Date 2020-02-26	State Final Release
HARTING Electric GmbH & Co. KG D-32339 Espelkamp		Type TB			Number 19 30 210 0291	
					Doc-Key / ECM-Nr. 100522391/UGD/002/D 500000166132	Rev. D
					Page 1/1	