

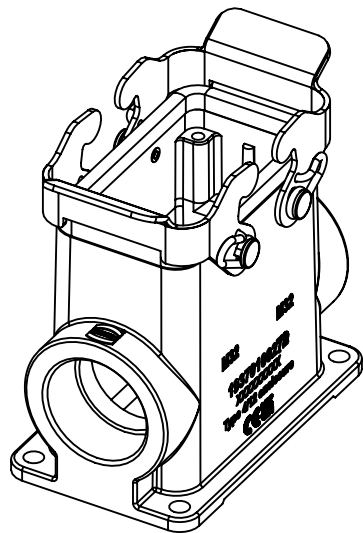
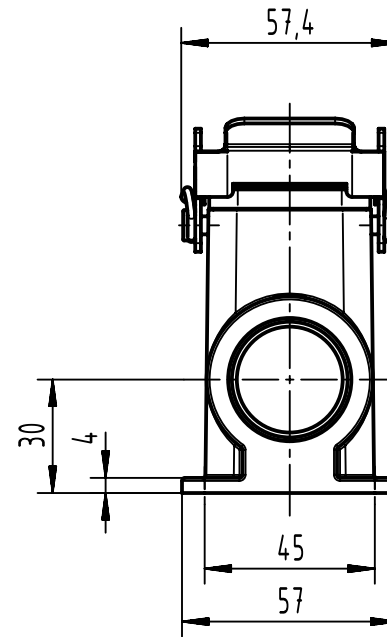
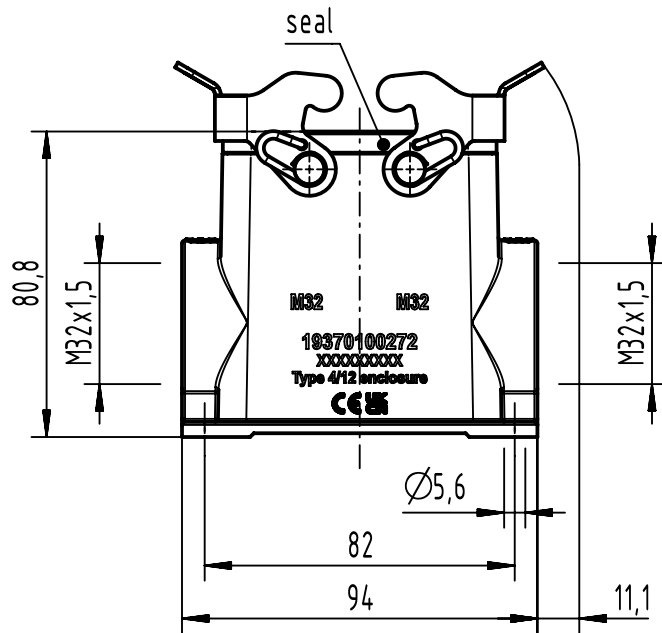
1 2 3 4 5 6

A

B

C

D



	All rights reserved Department EL PD	All Dimensions in mm Original Size DIN A4		Scale 1:2	Free size tol.	Ref.
		Created by HELLMANN	Inspected by GERB	Standardisation	Date 2023-11-22	State Final Release
HARTING D-32339 Espelkamp		Title Han 10M-asg2-QB-M32			Doc-Key / ECM-Nr. 100192067/UGD/004/F 500000257719	
		Type TB	Number 19 37 010 0272		Rev. F	Page 1/1