

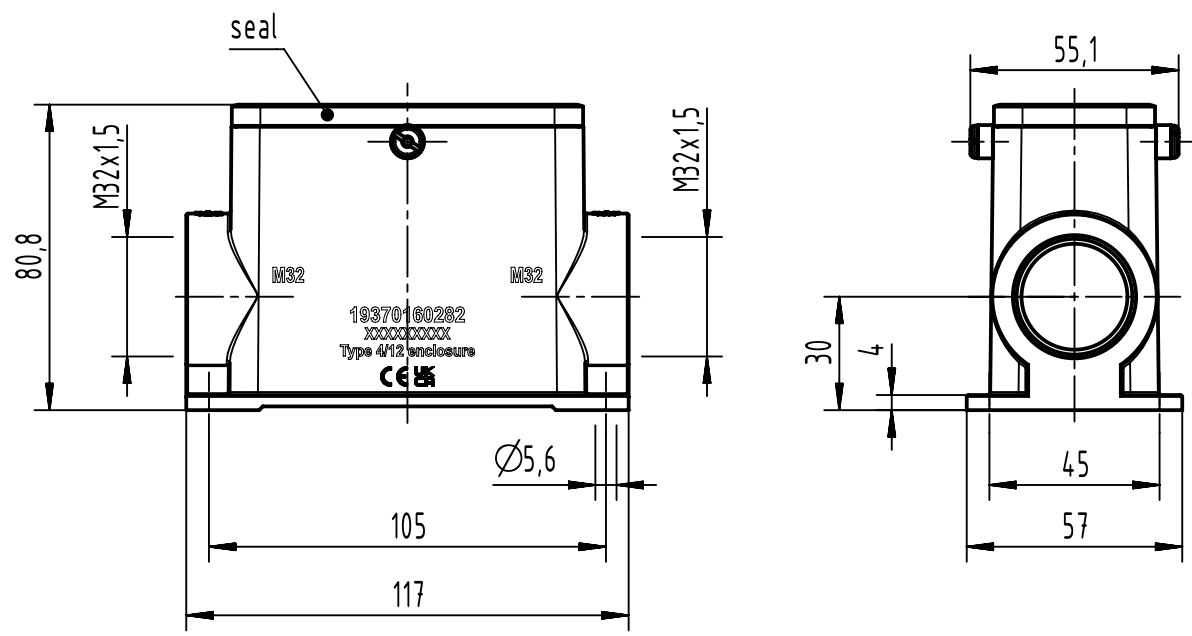
1 2 3 4 5 6

A

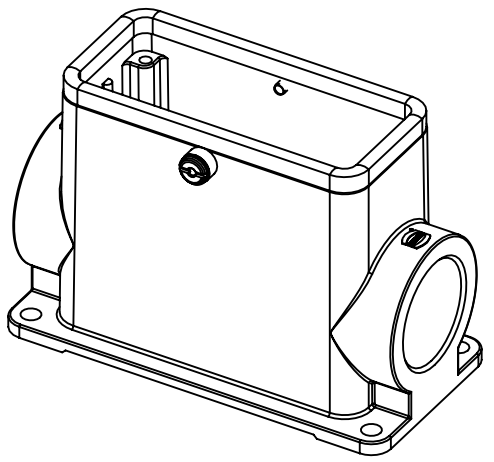
B

C

D



19370160282  
XXXXXXXXXX  
Type 412 enclosure  
CE



	All Dimensions in mm Original Size DIN A4		Scale 1:2	Free size tol.		Ref.		
						Sub.		
	All rights reserved		Created by HELLMANN	Inspected by GERB	Standardisation	Date 2023-12-08	State Final Release	
	Department EL PD		Title Han 16M-asg2-R-M32				Doc-Key / ECM-Nr. 100212273/UGD/004/D 500000258456	
HARTING D-32339 Espelkamp		Type TB	Number 19 37 016 0282				Rev. D	Page 1/1