

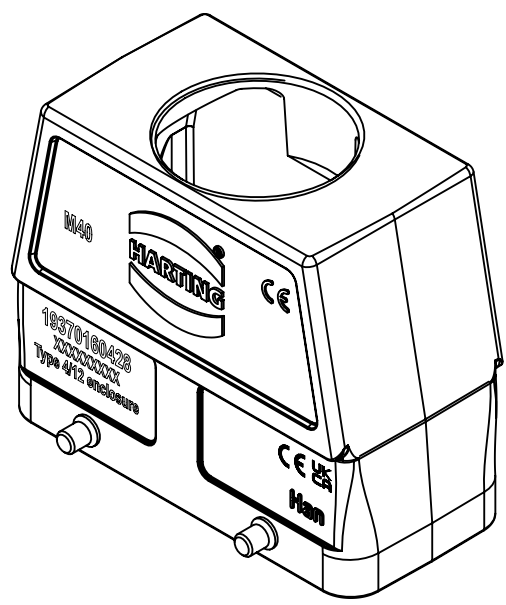
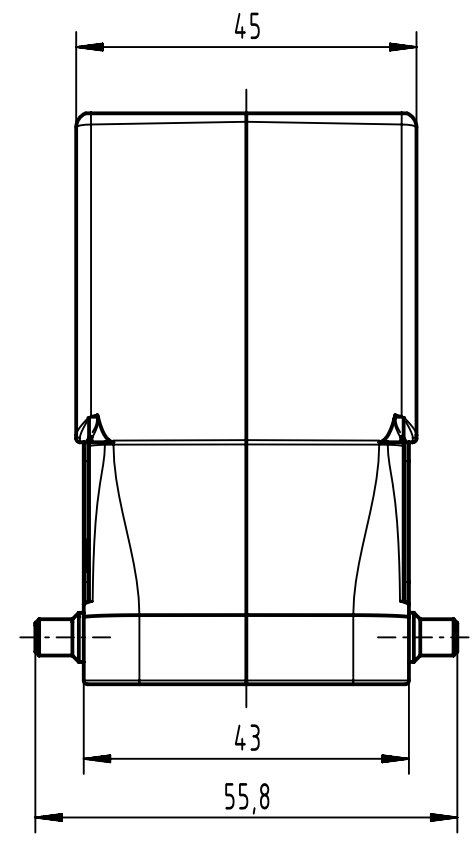
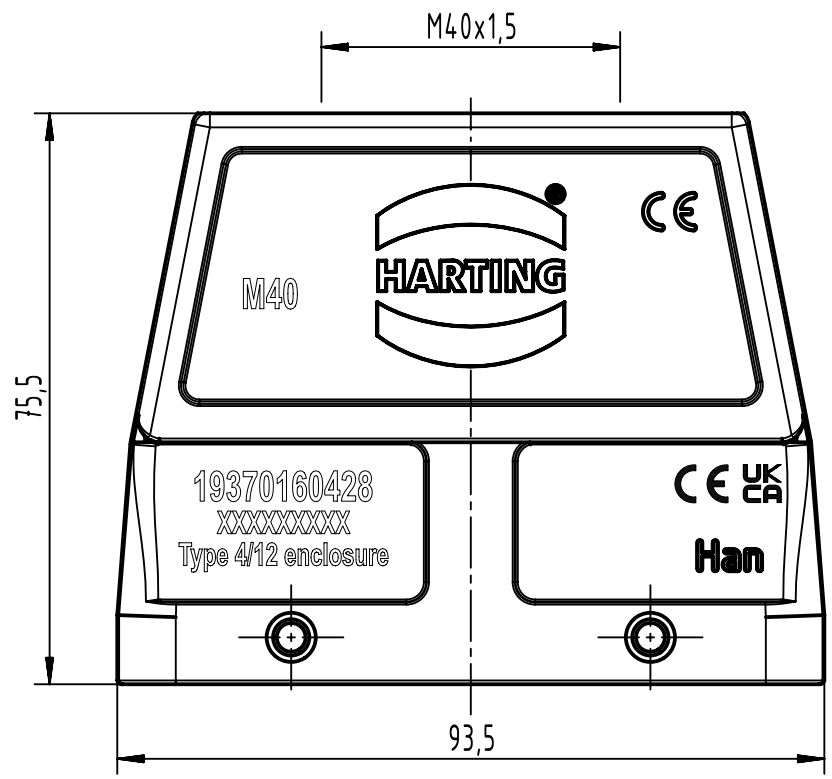
1 2 3 4 5 6

A

B

C

D



	All Dimensions in mm Original Size DIN A4		Scale 1:1	Free size tol.		Ref. Sub. TB 19 37 016 0428 v. 25.07.07	
		All rights reserved	Created by HELLMANN	Inspected by GERB	Standardisation	Date 2023-12-08	State Final Release
Department EL PD		Title Han M Hood Top Entry HC 4 Pegs M40					Doc-Key / ECM-Nr. 100222083/UGD/002/E 500000258456
HARTING D-32339 Espelkamp		Type TB	Number 19 37 016 0428			Rev. E	Page 1/1