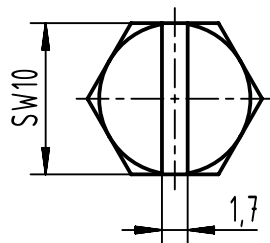
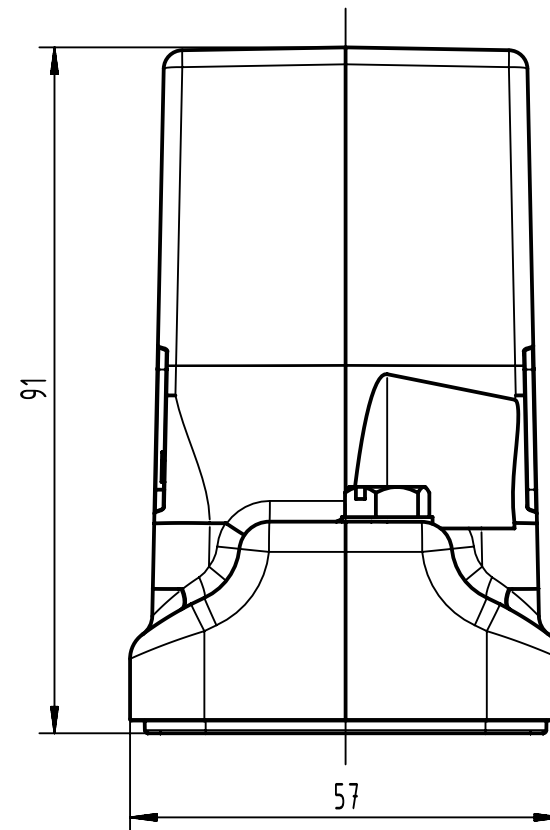
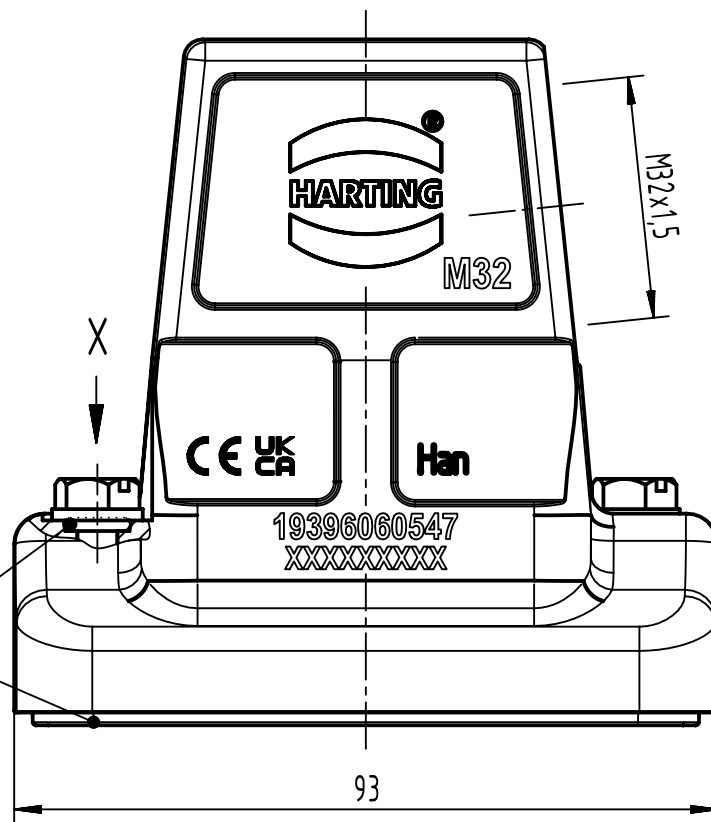


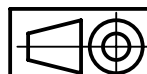
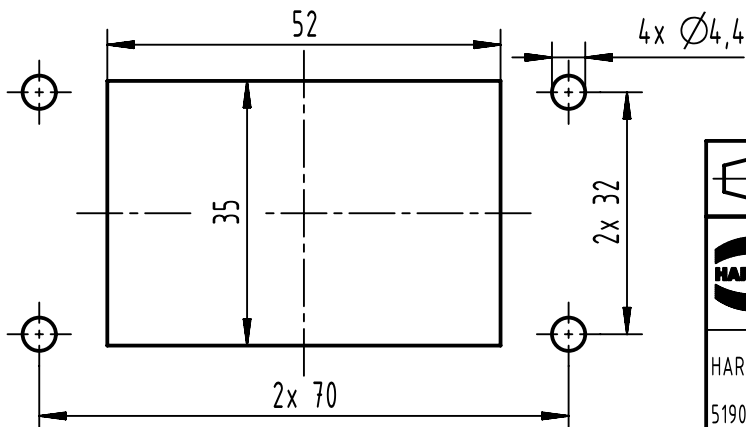
X (2:1)



Seal



Panel cut out



All Dimensions in mm  
Original Size DIN A4

Scale  
1:1

Free size tol.

Ref.

Sub.



All rights reserved

Created by  
SHENGJ

Inspected by  
WANGSTE

Standardisation  
ROEBEN

Date  
2024-03-01

State  
Final Release

Title  
Han 6HP Direct/B-HSE-M32

Doc-Key / ECM-Nr.  
100661488/UGD/004/J  
500000264683

HARTING (Zhuhai) Manufacturing Co., Ltd.  
519085 Zhuhai, China

Type  
TB

Number  
19 39 606 0547

Rev.  
J

Page  
1/1