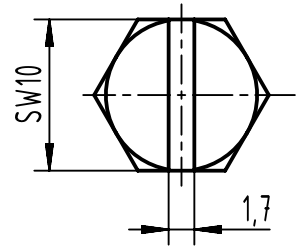
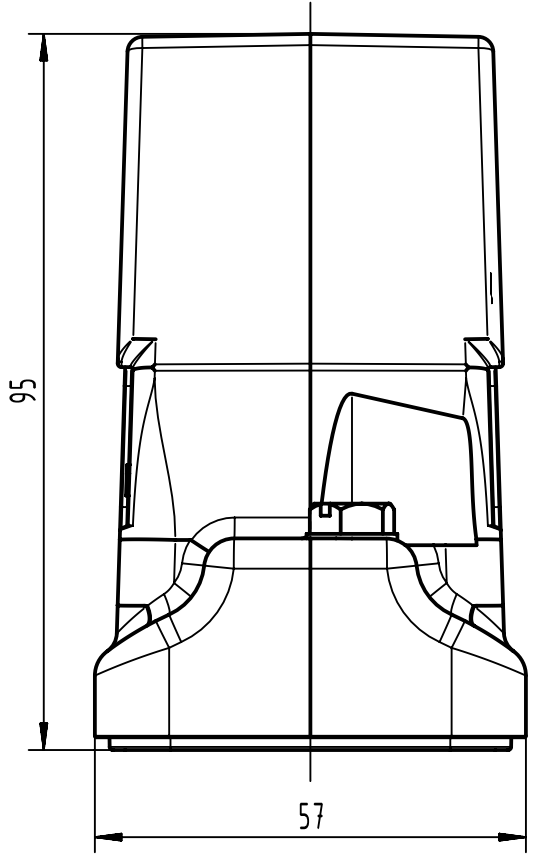
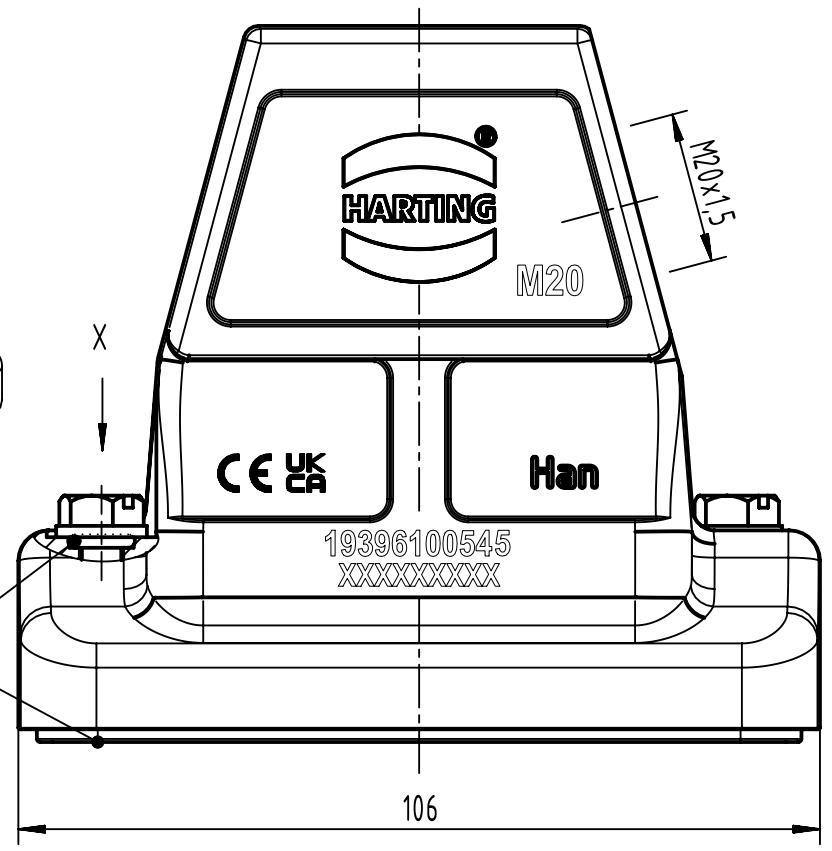


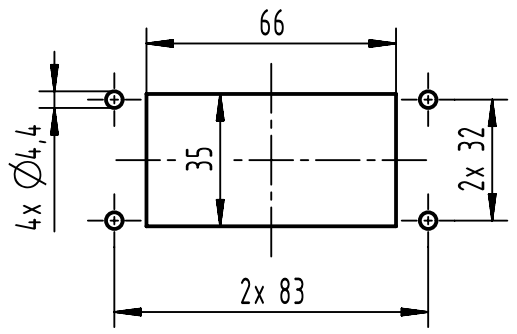
X (2:1)




Seal



Panel cut out (1:2)



	All rights reserved		Scale 1:1		Free size tol.		Ref.	
	Department EL PD		Created by SHENGJ	Inspected by WANGSTE	Standardisation ROEBEN	Date 2024-03-01	State Final Release	
HARTING (Zhuhai) Manufacturing Co., Ltd. 519085 Zhuhai, China			Title Han 10HP Direct/B-HSE-M20			Doc-Key / ECM-Nr. 100663213/UGD/002/H 500000264683		
			Type TB	Number 19 39 610 0545		Rev. H	Page 1/1	