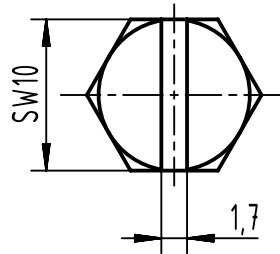
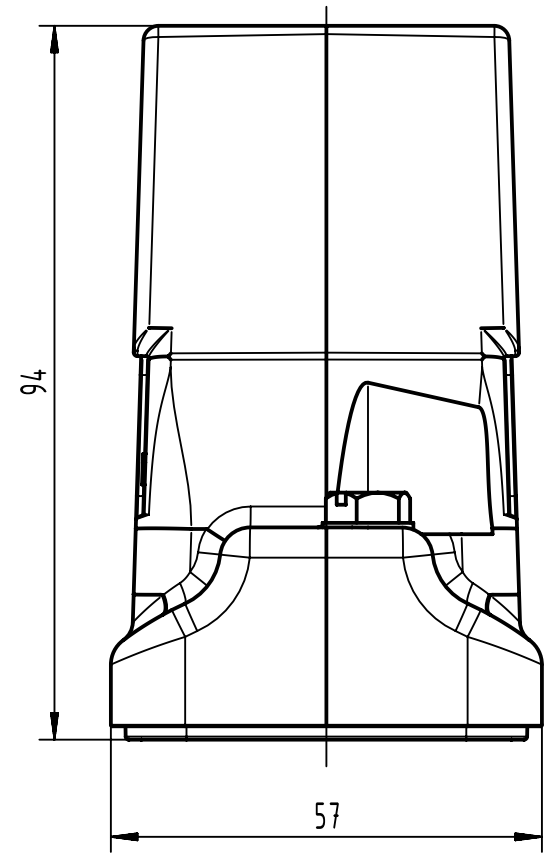
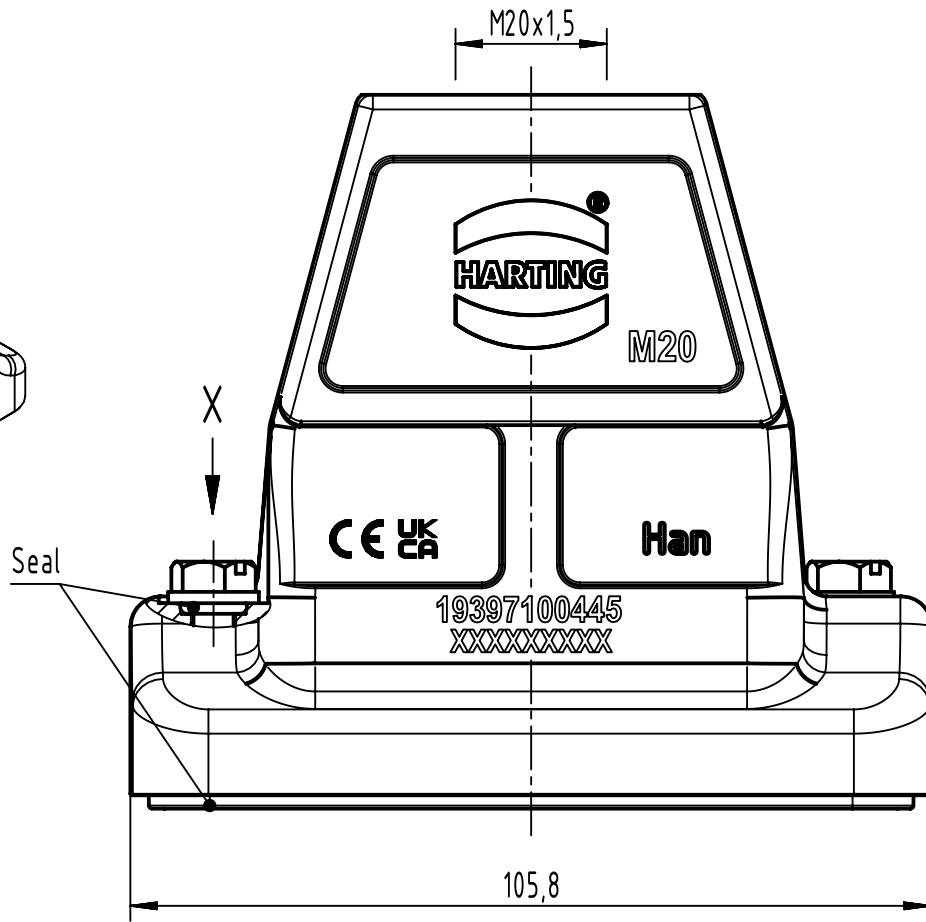
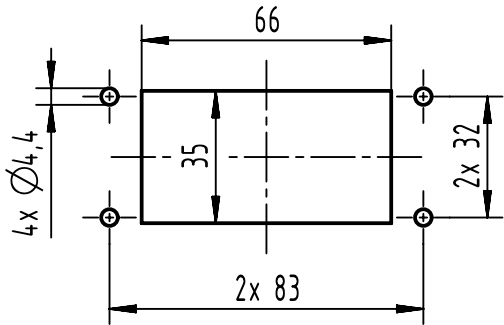


X (2:1)



Panel cut out (1:2)



| | | | | | | |
|--|---|--|--------------------------|---------------------------|--|------------------------|
| | All rights reserved Department EL PD | All Dimensions in mm Original Size DIN A4 | | Scale 1:1 | Free size tol. | Ref. |
| | | Created by SHENGJ | Inspected by WANGSTE | Standardisation ROEBEN | Date 2024-03-01 | State Final Release |
| HARTING (Zhuhai) Manufacturing Co., Ltd. 519085 Zhuhai, China | | Title Han 10HP Direct/M-HTE-M20 | | | Doc-Key / ECM-Nr. 100663880/UGD/002/H 500000264685 | |
| | | Type TB | Number 19 39 710 0445 | | Rev. H | Page 1/1 |