

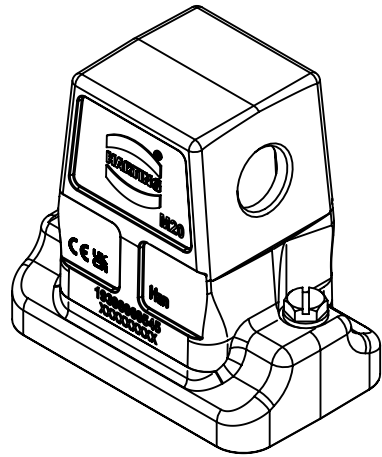
1 2 3 4 5 6

A

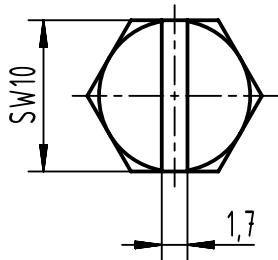
B

C

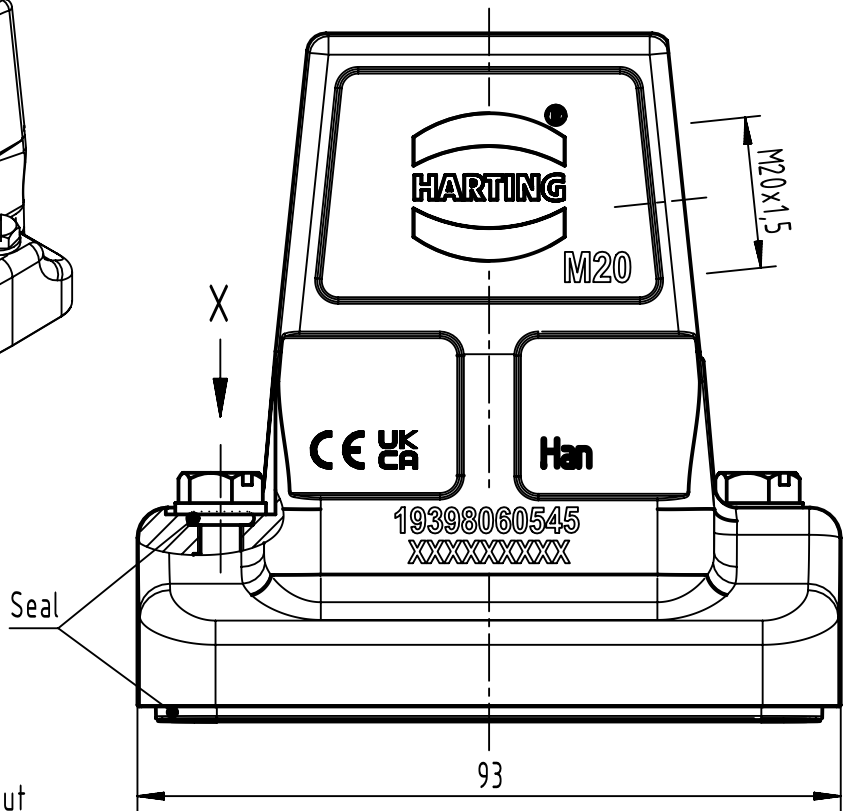
D



X (2:1)



Panel cut out



M20x1,5

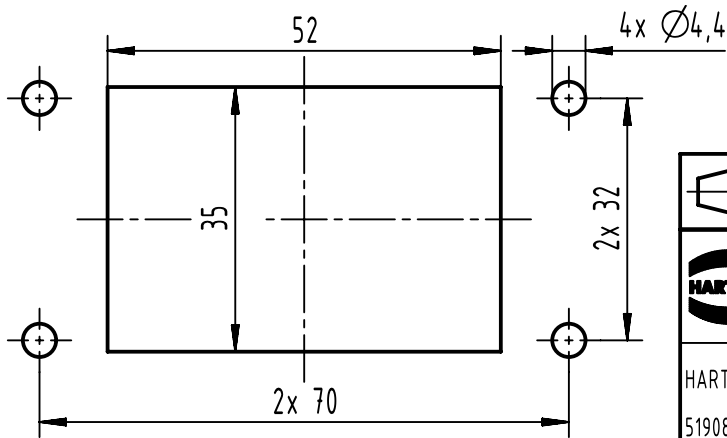
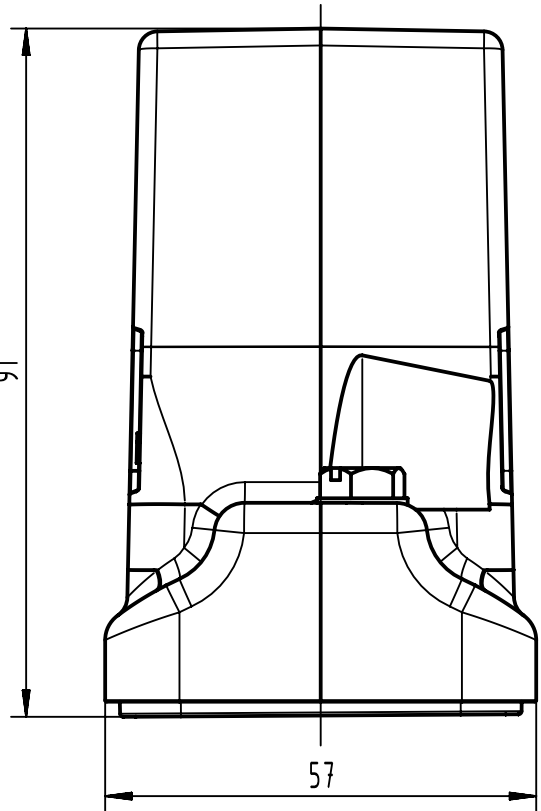
X

Seal

93

91

57



	All rights reserved		Created by SHENGJ		Inspected by WANGSTE		Standardisation ROEBEN		Date 2024-03-01		State Final Release	
	Department EL PD		Title Han 6HP Direct/EMV-HSE-M20		Number 19 39 806 0545		Doc-Key / ECM-Nr. 100665282/UGD/003/H 500000264687		Rev. H		Page 1/1	
HARTING (Zhuhai) Manufacturing Co., Ltd. 519085 Zhuhai, China			Scale 1:1		Free size tol.		Ref. Sub.					