

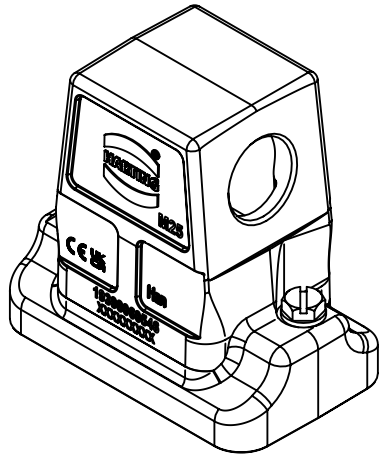
1 2 3 4 5 6

A

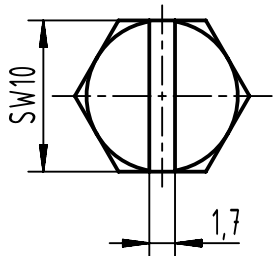
B

C

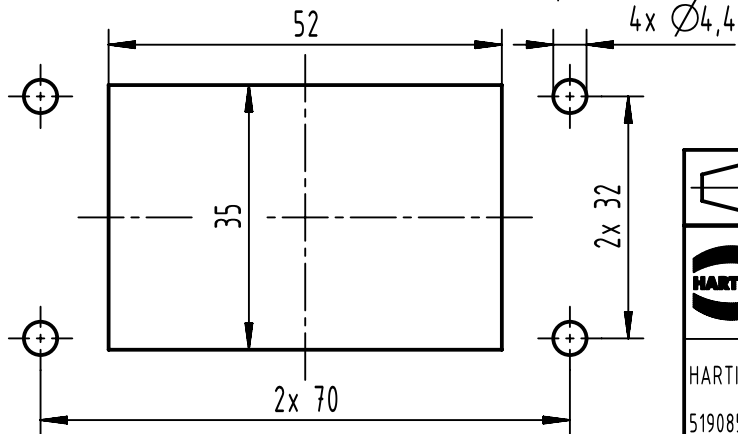
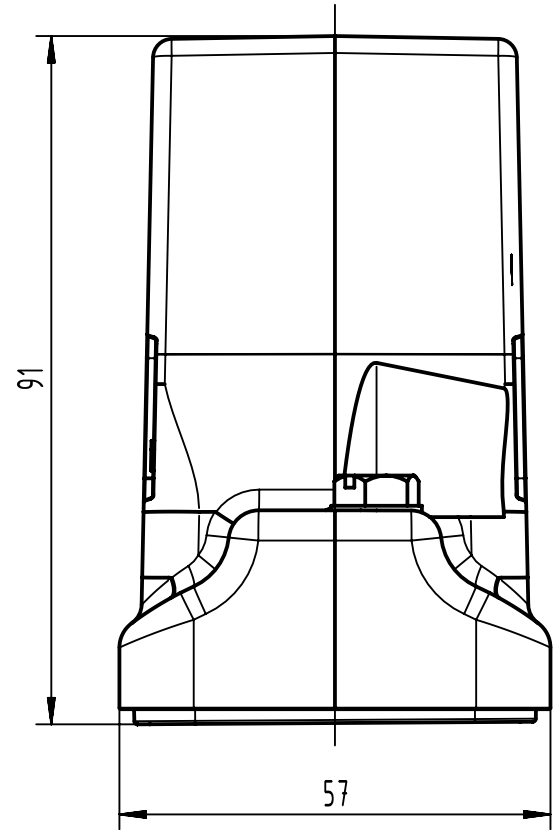
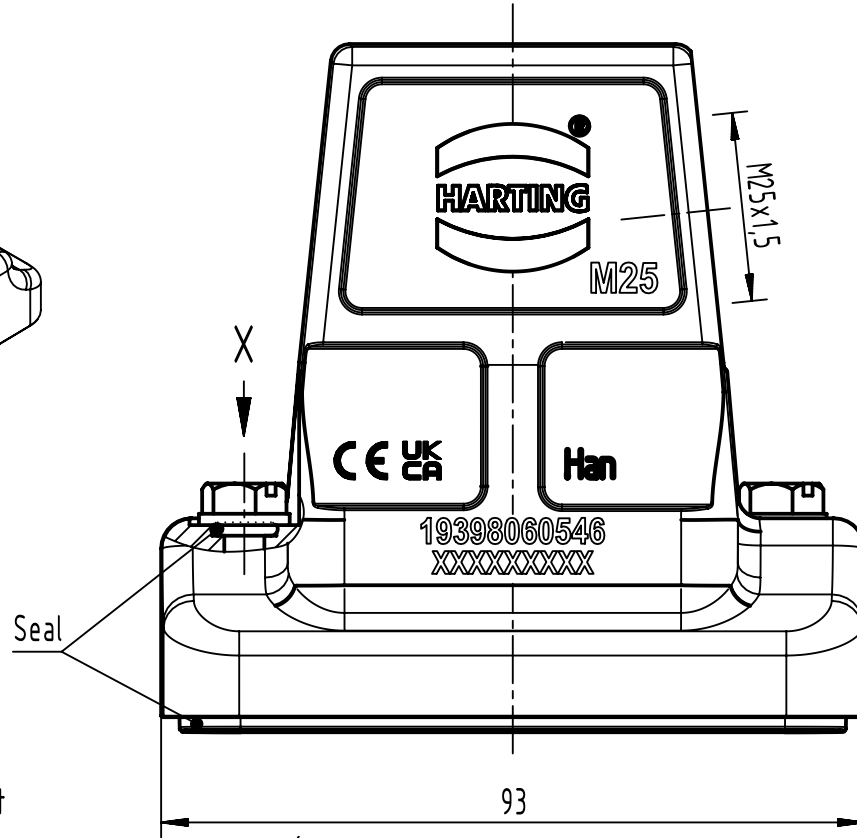
D



X (2:1)



Panel cut out



	All rights reserved		Created by SHENGJ		Inspected by WANGSTE		Standardisation ROEBEN		Date 2024-03-01		State Final Release	
	Department EL PD		Title Han 6HP Direct/EMV-HSE-M25		Number 19 39 806 0546		Doc-Key / ECM-Nr. 100665282/UGD/002/H 500000264687		Rev. H		Page 1/1	
HARTING (Zhuhai) Manufacturing Co., Ltd. 519085 Zhuhai, China			All Dimensions in mm Original Size DIN A4		Scale 1:1 Free size tol.		Ref. Sub.					