

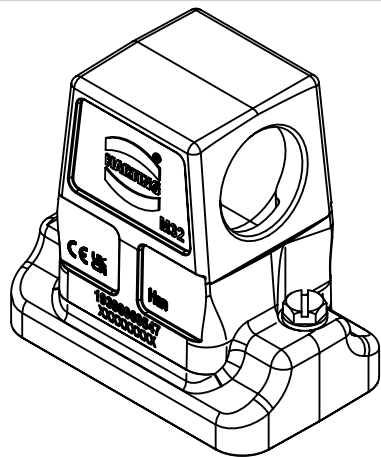
1 2 3 4 5 6

A

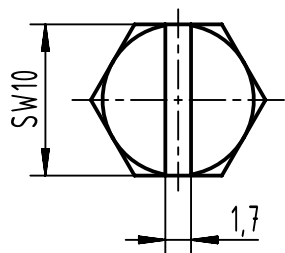
B

C

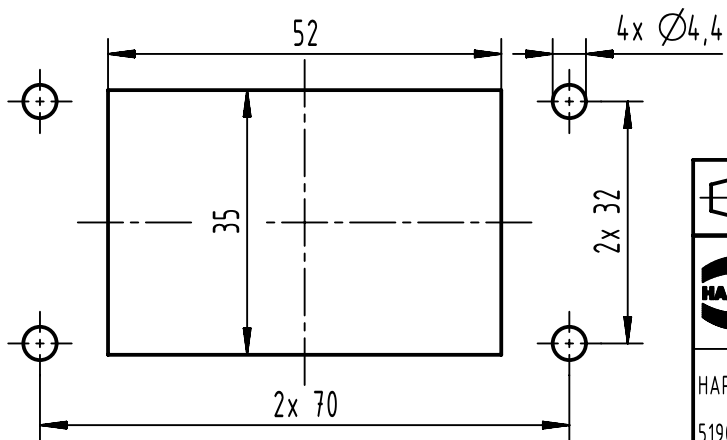
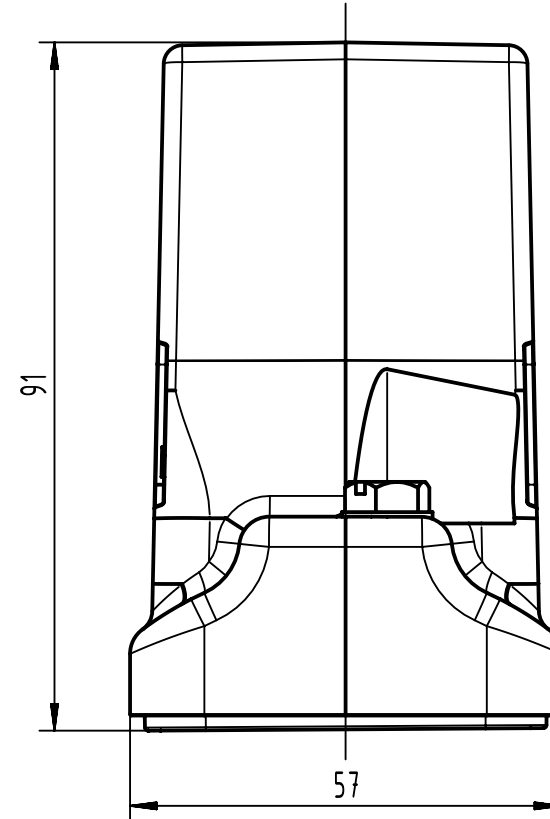
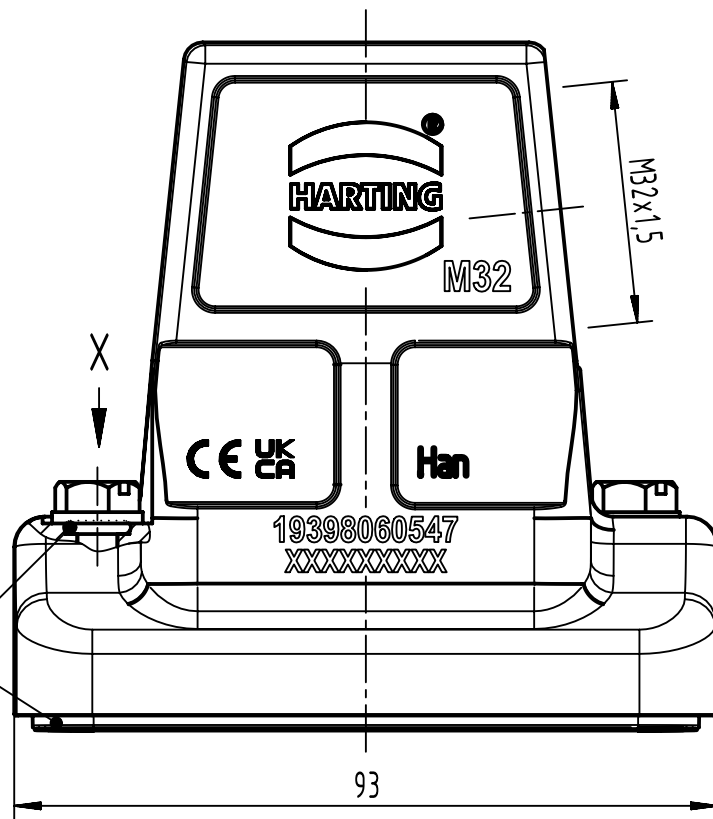
D



X (2:1)



Panel cut out



	All Dimensions in mm Original Size DIN A4		Scale 1:1		Free size tol.		Ref.			
	All rights reserved Department EL PD		Created by SHENGJ		Inspected by WANGSTE		Standardisation ROEBEN			
HARTING (Zhuhai) Manufacturing Co., Ltd. 519085 Zhuhai, China			Title Han 6HP Direct/EMV-HSE-M32				Date 2024-03-01		State Final Release	
			Type TB		Number 19 39 806 0547			Doc-Key / ECM-Nr. 100665282/UGD/004/H 500000264687		
						Rev. H		Page 1/1		