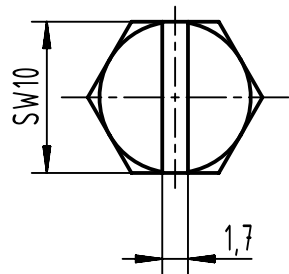
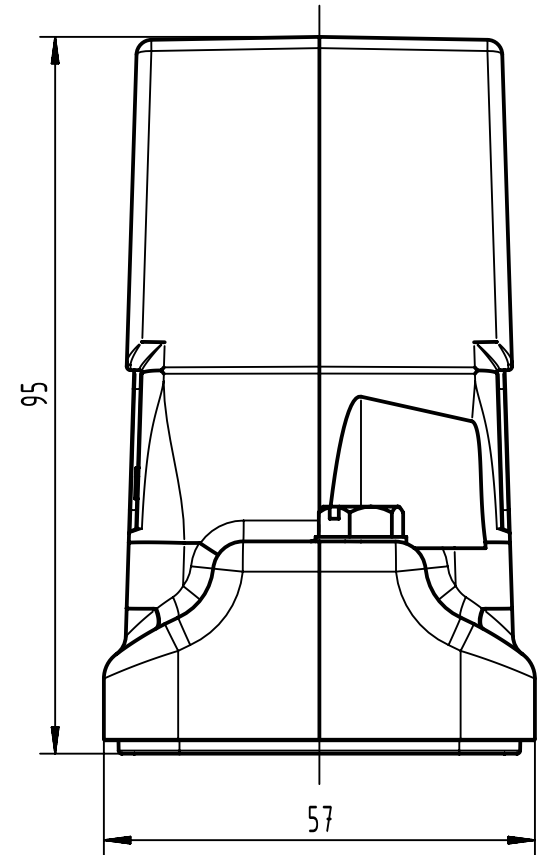
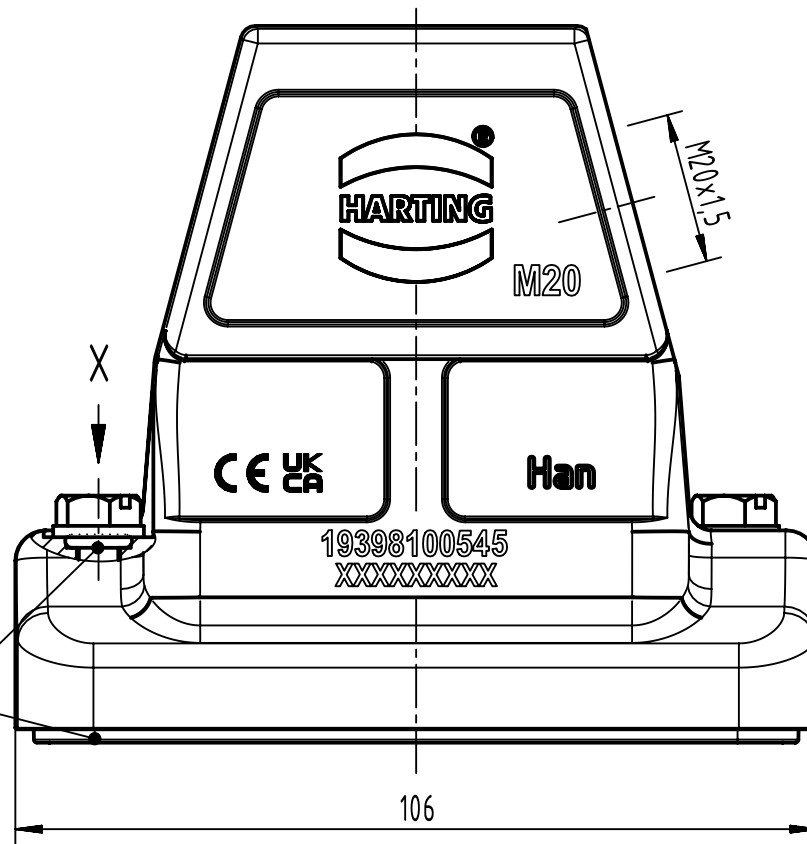


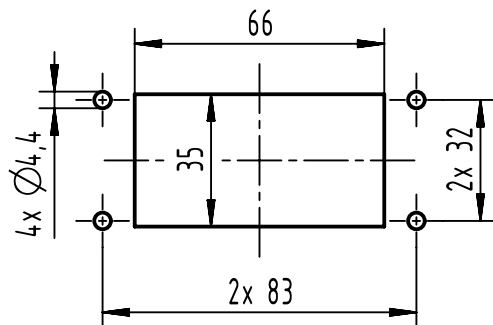
X (2:1)



Seal



Panel cut out (1:2)



	All rights reserved Department EL PD	All Dimensions in mm Original Size DIN A4		Scale 1:1	Free size tol.	Ref. Sub.
		HARTING (Zhuhai) Manufacturing Co., Ltd. 519085 Zhuhai, China	Created by SHENGJ	Inspected by WANGSTE	Standardisation ROEBEN	Date 2024-03-01
Title Han 10HP Direct/EMV-HSE-M20						Doc-Key / ECM-Nr. 100665293/UGD/002/H 500000264687
Type TB				Number 19 39 810 0545		Rev. H
						Page 1/1