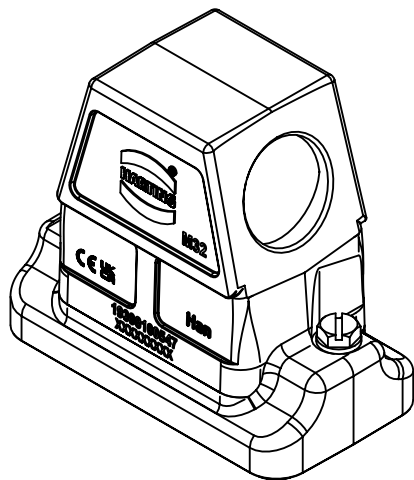
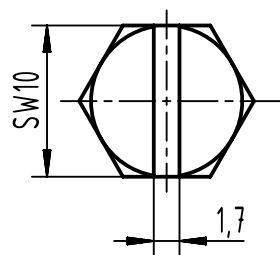


1 2 3 4 5 6

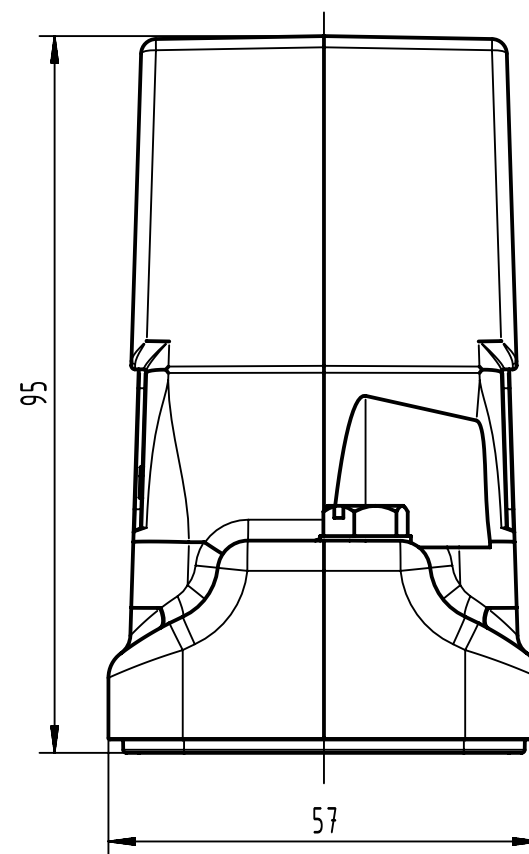
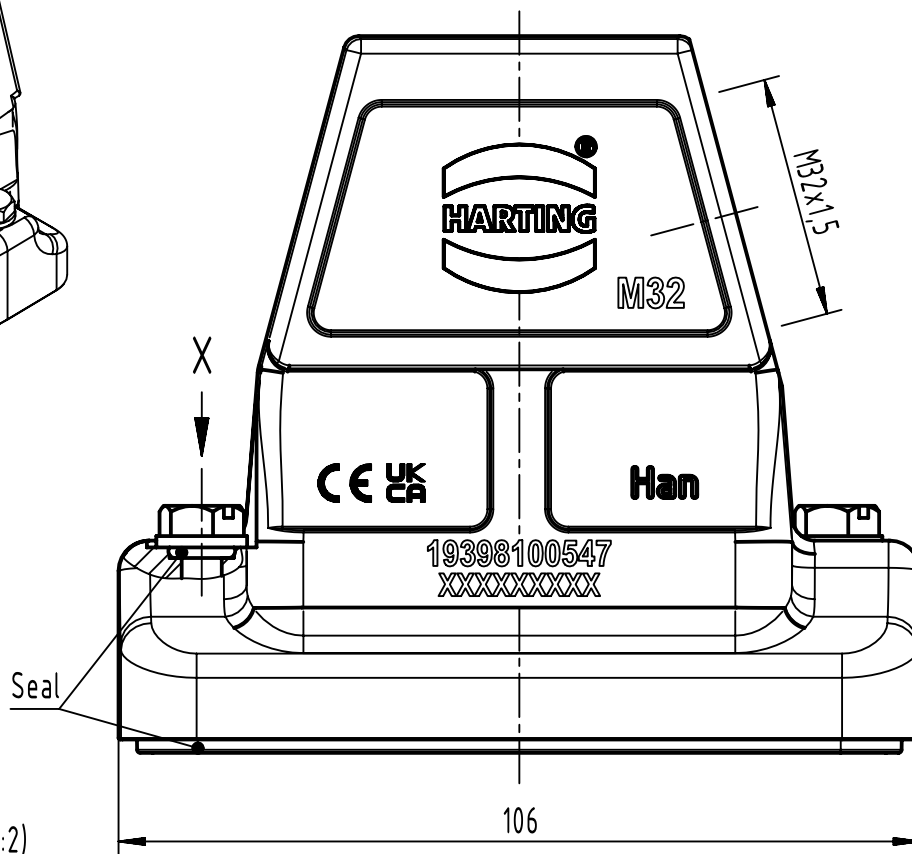
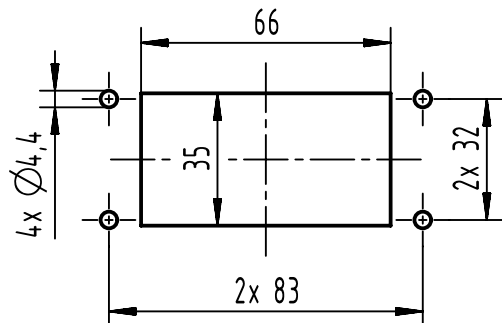
A  
B  
C  
D




X (2:1)



Panel cut out (1:2)



	All rights reserved		Created by SHENGJ		Inspected by WANGSTE		Standardisation ROEBEN		Date 2024-03-01		State Final Release	
	Department EL PD		Title Han 10HP Direct/EMV-HSE-M32		Number 19 39 810 0547		Doc-Key / ECM-Nr. 100665293/UGD/004/H 500000264687		Rev. H		Page 1/1	
HARTING (Zhuhai) Manufacturing Co., Ltd. 519085 Zhuhai, China			Scale 1:1		Free size tol.		Ref.		Sub.			
			All Dimensions in mm Original Size DIN A4									