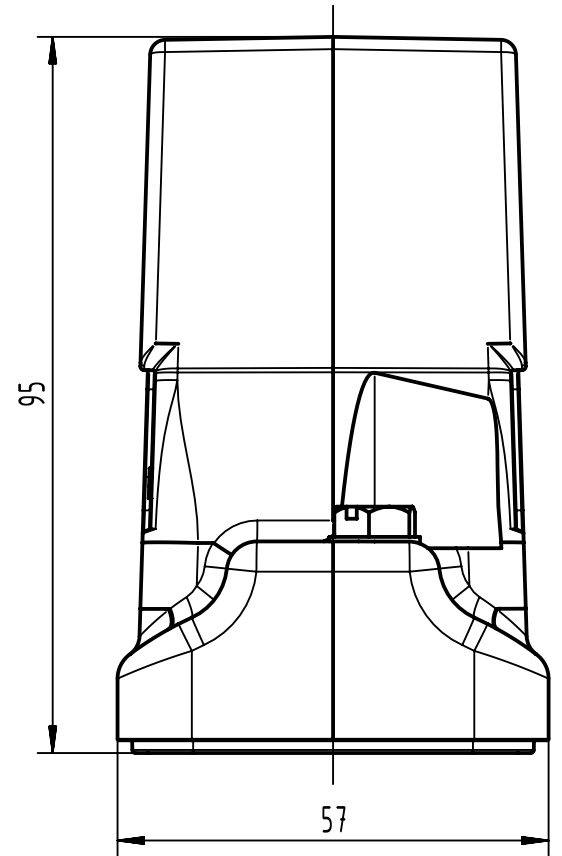
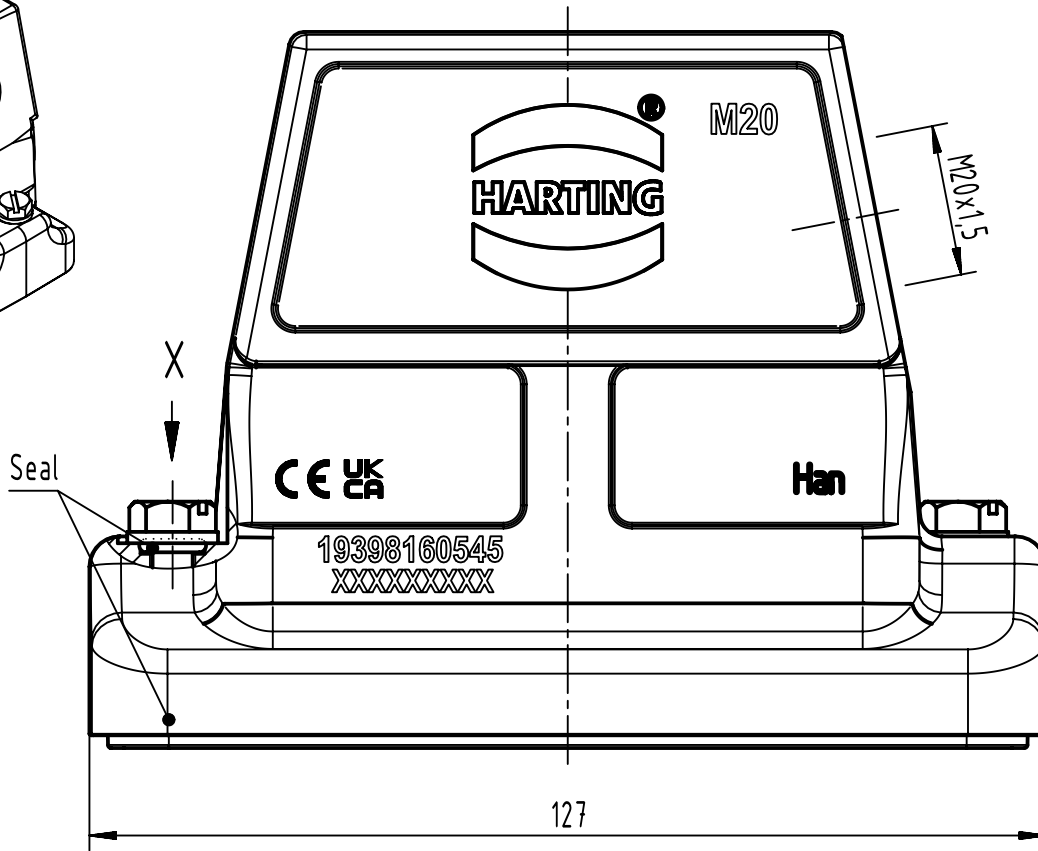
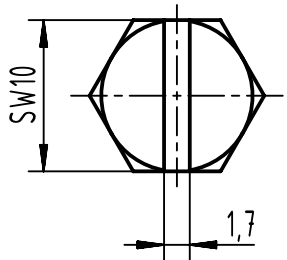
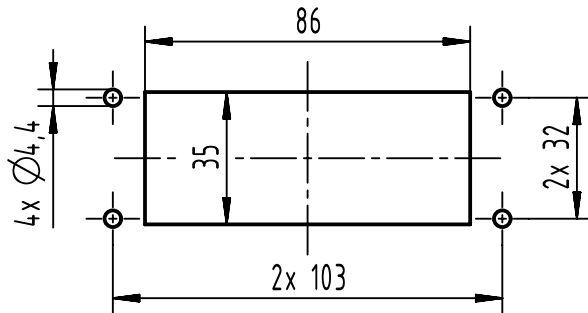


X (2:1)



Panel cut out (1:2)



	All rights reserved		Scale 1:1		Free size tol.		Ref.	
	Department EL PD		Created by SHENGJ	Inspected by WANGSTE	Standardisation ROEBEN	Date 2024-03-01	State Final Release	
HARTING (Zhuhai) Manufacturing Co., Ltd. 519085 Zhuhai, China			Title Han 16HP Direct/EMV-HSE-M20			Doc-Key / ECM-Nr. 100665332/UGD/002/F 500000264687		
			Type TB	Number 19 39 816 0545		Rev. F	Page 1/1	