

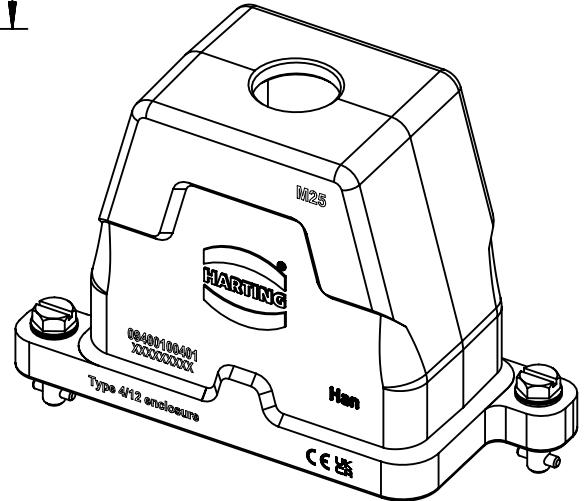
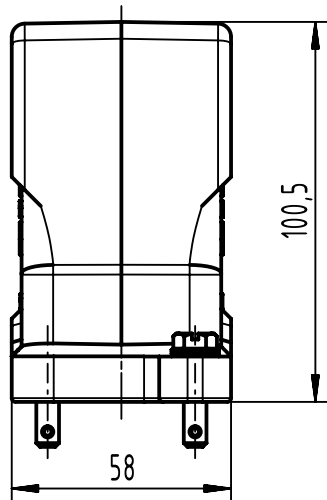
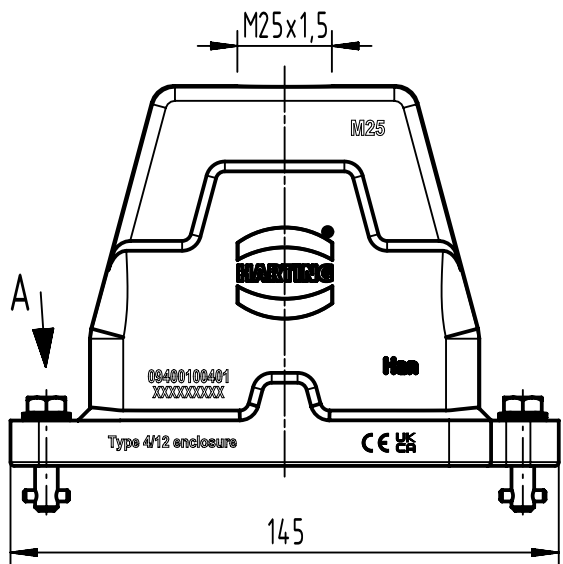
1 2 3 4 5 6

A

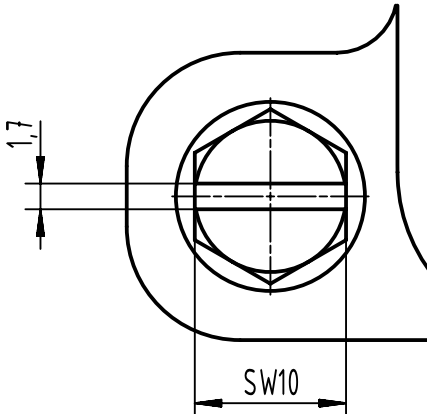
B



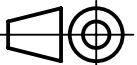
C

D



A (2:1) 2x



	All rights reserved		Created by HELLMANN		Inspected by 3236		Standardisation		Date 2023-10-09		State Final Release	
	Department EL PD		Title Han 10HPR-gg-KV-M25		Number 19 40 010 0401		Doc-Key / ECM-Nr. 100206742/UGD/004/E 500000253941		Rev. E		Page 1/1	
 D-32339 Espelkamp			 All Dimensions in mm Original Size DIN A4		Scale 1:2		Free size tol.		Ref.		Sub.	