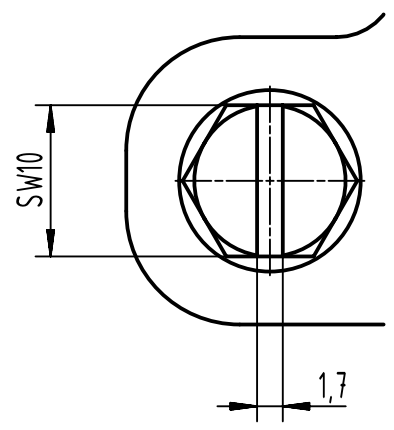



A (2:1) 2x



	All rights reserved		Scale 1:2		Free size tol.		Ref.		
	Department EL PD		Created by HELLMANN		Inspected by 3236		Sub.		
HARTING		Title Han 10HPR-gs-SV-M40				Date 2023-10-09		State Final Release	
D-32339 Espelkamp		Type TB				Number 19 40 010 0513		Doc-Key / ECM-Nr. 100208112/UGD/004/E 500000253941	
						Rev. E		Page 1/1	