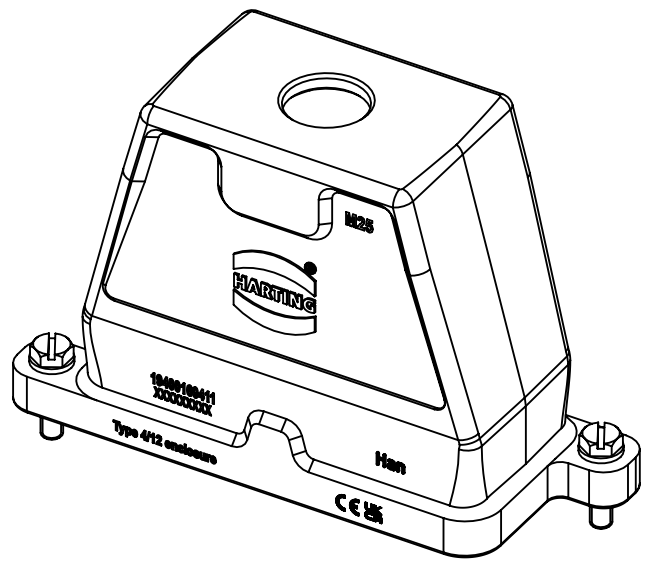
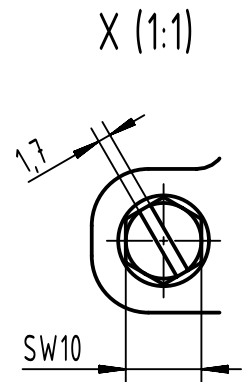
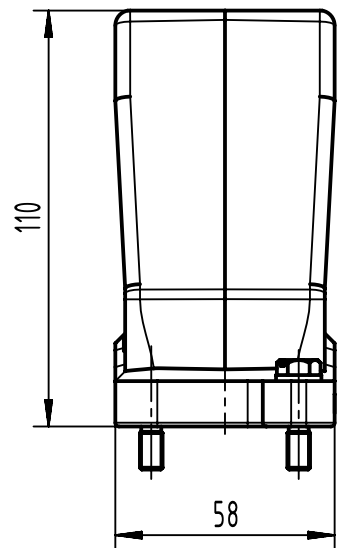
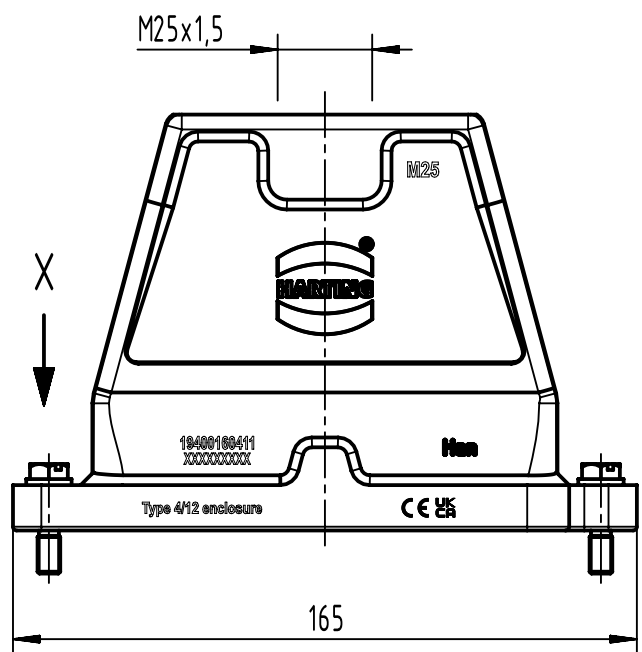


1 2 3 4 5 6

A
B
C
D



	All Dimensions in mm Original Size DIN A4		Scale 1:2	Free size tol.		Ref.		
						Sub.		
	All rights reserved		Created by HELLMANN	Inspected by 3236	Standardisation	Date 2023-10-24	State Final Release	
	Department EL PD		Title Han 16HPR-HTE-SL-M25				Doc-Key / ECM-Nr. 100170359/UGD/004/E 500000255210	
HARTING D-32339 Espelkamp			Type TB	Number 19 40 016 0411			Rev. E	Page 1/1