

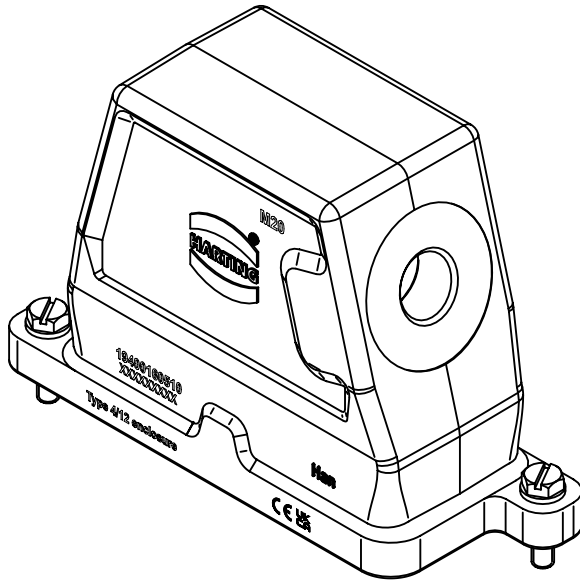
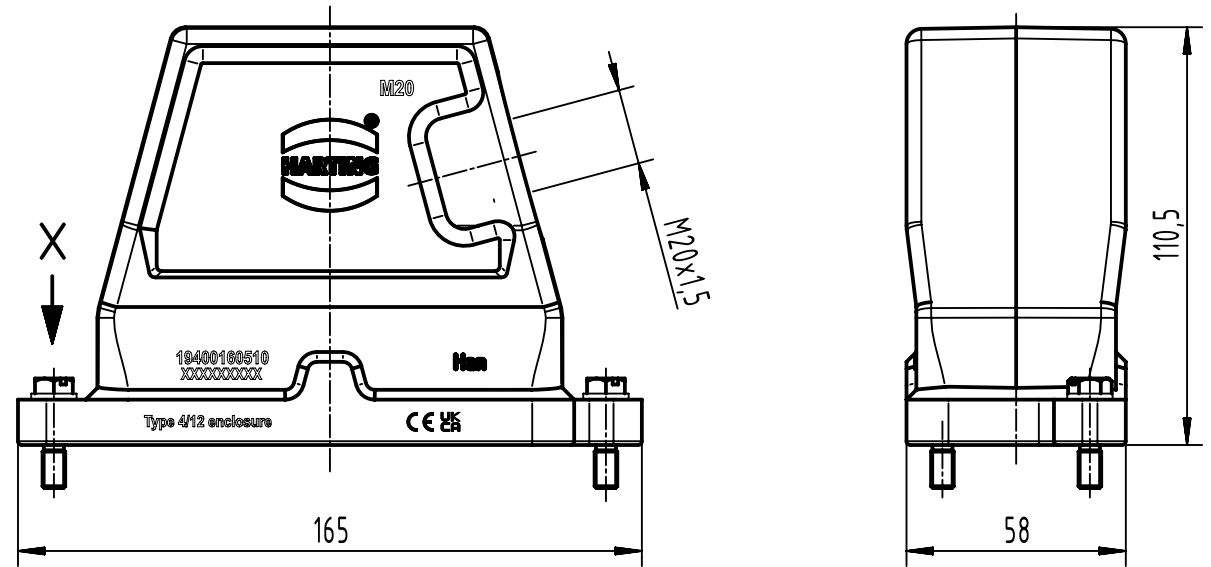
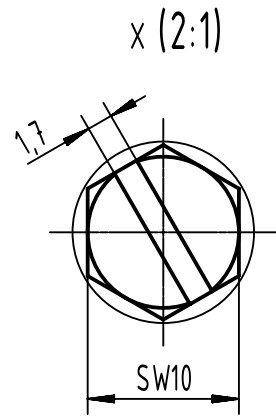
1 2 3 4 5 6

A

B

C

D



	All Dimensions in mm Original Size DIN A4		Scale 1:2	Free size tol.		Ref.	
			Created by HELLMANN	Inspected by 3236	Standardisation	Date 2023-10-24	State Final Release
All rights reserved Department EL PD		Title Han 16HPR-HSE-SL-M20				Doc-Key / ECM-Nr. 100719832/UGD/004/C 500000255210	
HARTING D-32339 Espelkamp		Type TB		Number 19 40 016 0510		Rev. C	Page 1/1