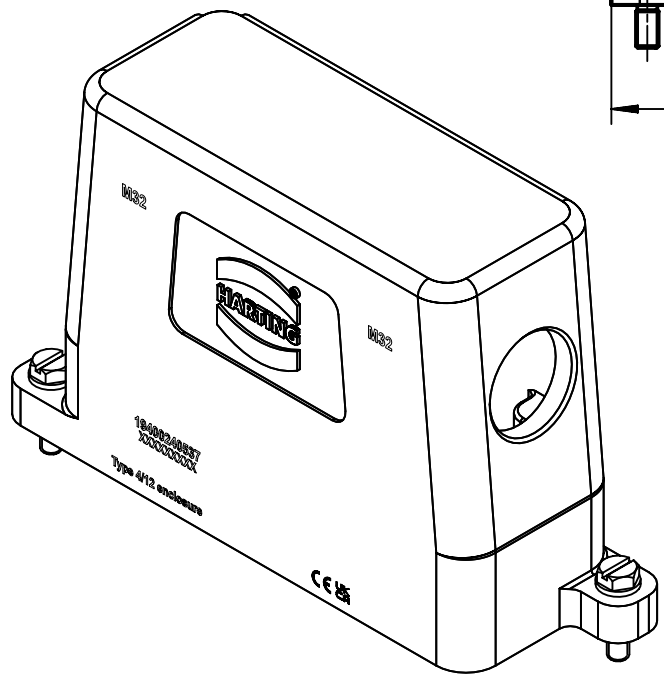
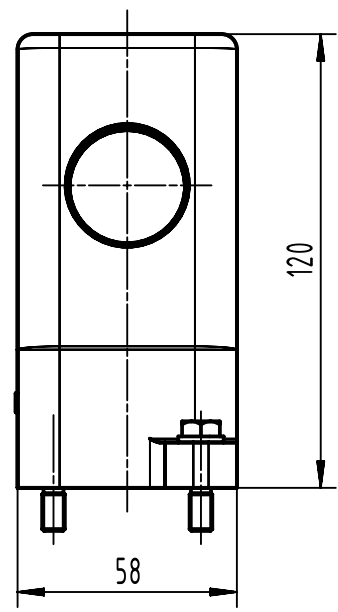
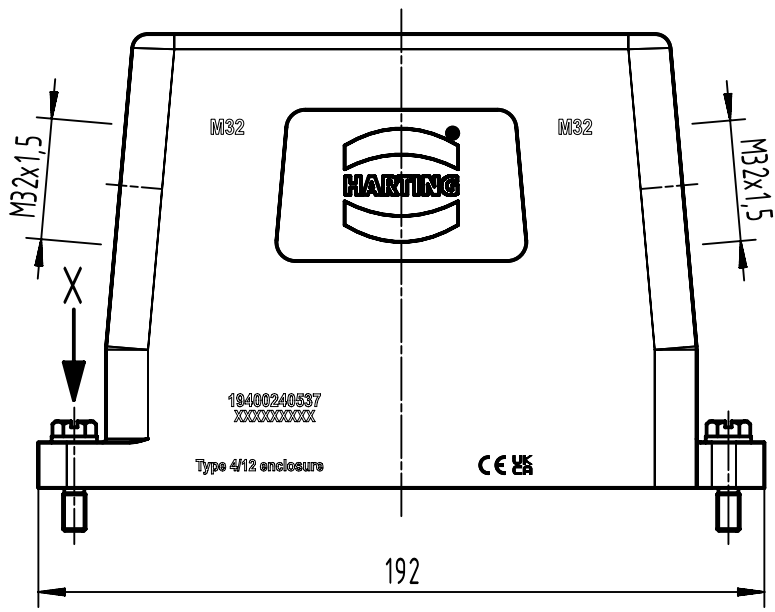
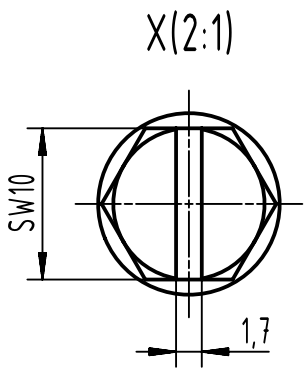


1 2 3 4 5 6

A  
B  
C  
D



	All Dimensions in mm Original Size DIN A4		Scale 1:2	Free size tol.		Ref.
						Sub.
	All rights reserved		Created by HELLMANN	Inspected by 3236	Standardisation	Date 2023-10-18
	Department EL PD					State Final Release
HARTING			Title Han 24HPR-gs2-SV 2xM32			Doc-Key / ECM-Nr. 100126087/UGD/005/D 500000255781
D-32339 Espelkamp			Type TB	Number 19 40 024 0537		Rev. D Page 1/1