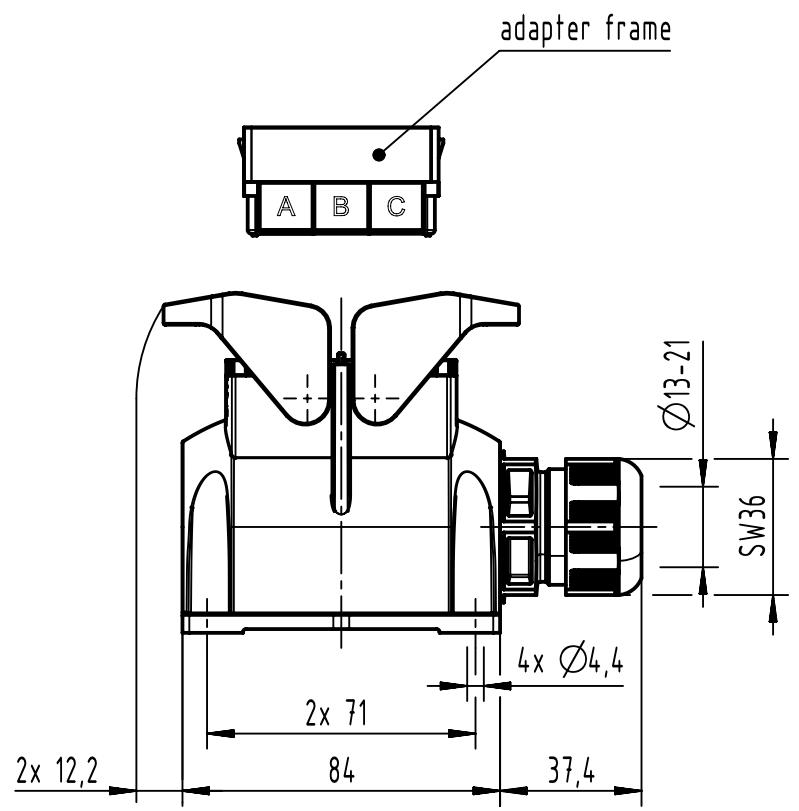
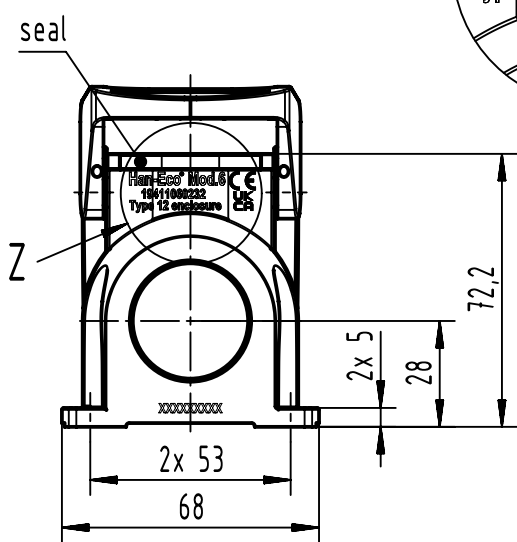
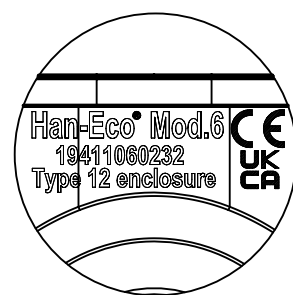
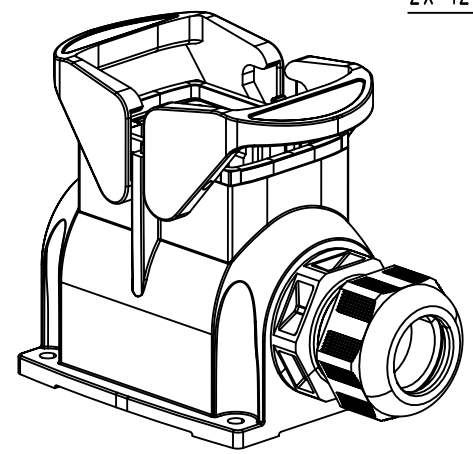


Z (1:1)



adapter frame and cable gland are enclosed



	All Dimensions in mm Original Size DIN A4		Scale 1:2	Free size tol.		Ref. Sub.	
		All rights reserved Department EL PD		Created by HOLLERT	Inspected by SCHNIEDER	Standardisation	Date 2023-10-23
HARTING D-32339 Espelkamp		Title Han-Eco Mod.6-HSM1-M32-glanded				Doc-Key / ECM-Nr. 100222553/UGD/006/G 500000255784	
		Type TB	Number 19 41 106 0232			Rev. G	Page 1/1