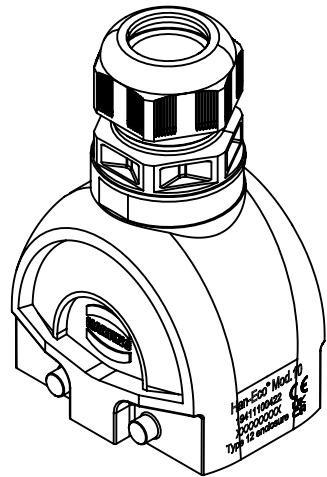
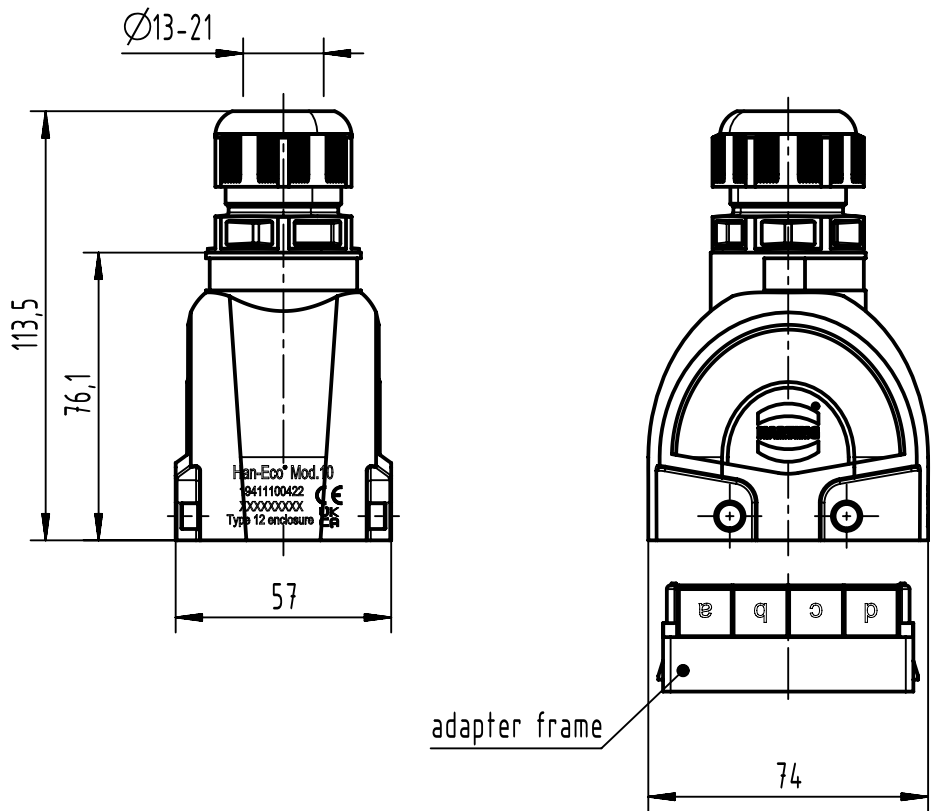


A

B

C

D



	All Dimensions in mm Original Size DIN A4		Scale 1:2	Free size tol.		Ref.	
						Sub.	
	All rights reserved		Created by HOLLERT	Inspected by SCHNIEDER	Standardisation	Date 2023-10-31	State Final Release
	Department EL PD		Title Han-Eco 10B-gg-M32 with cable glands				Doc-Key / ECM-Nr. 100185058/UGD/005/D 500000255735
HARTING D-32339 Espelkamp		Type TB	Number 19 41 110 0422			Rev. D	Page 1/1